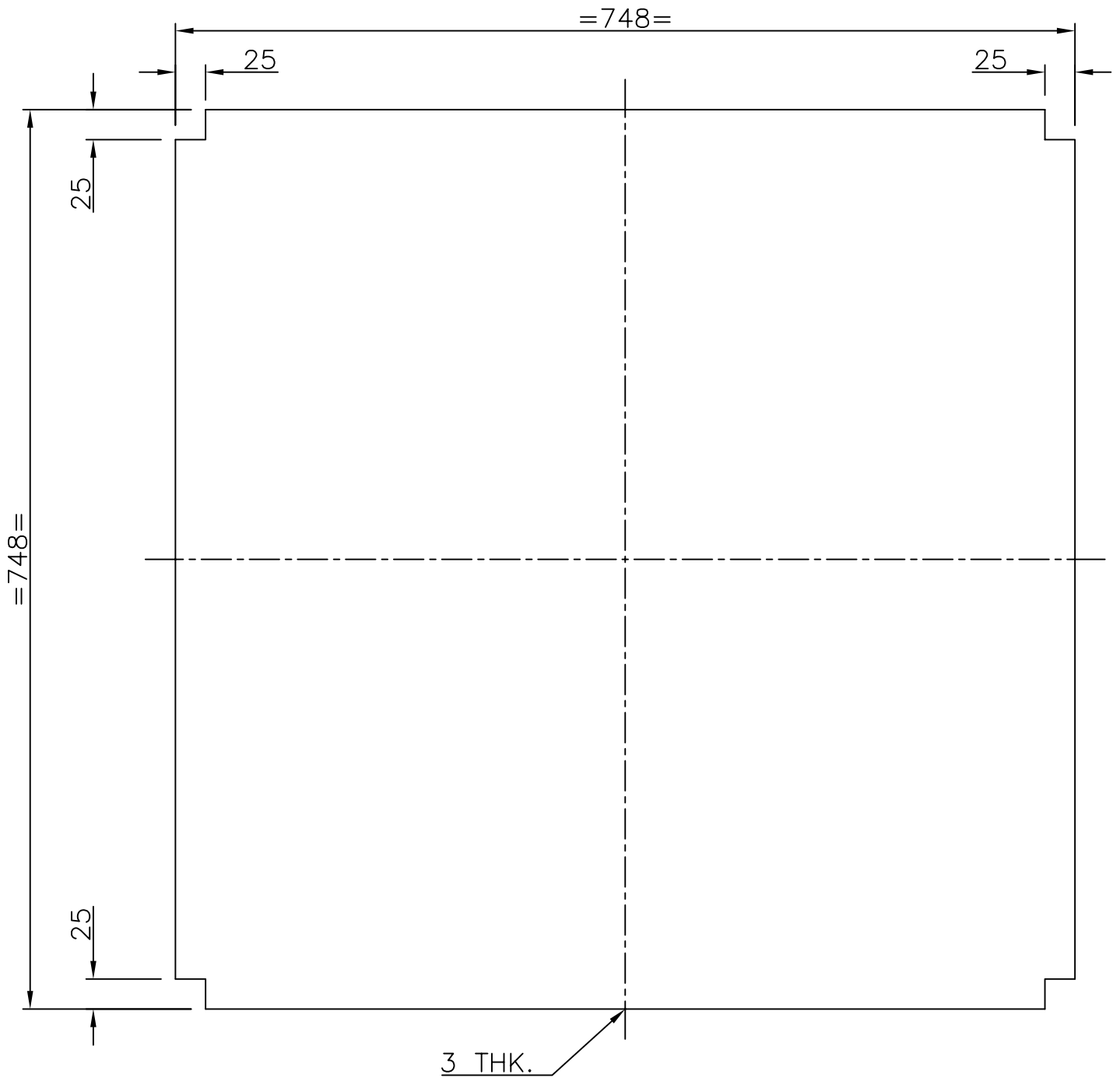
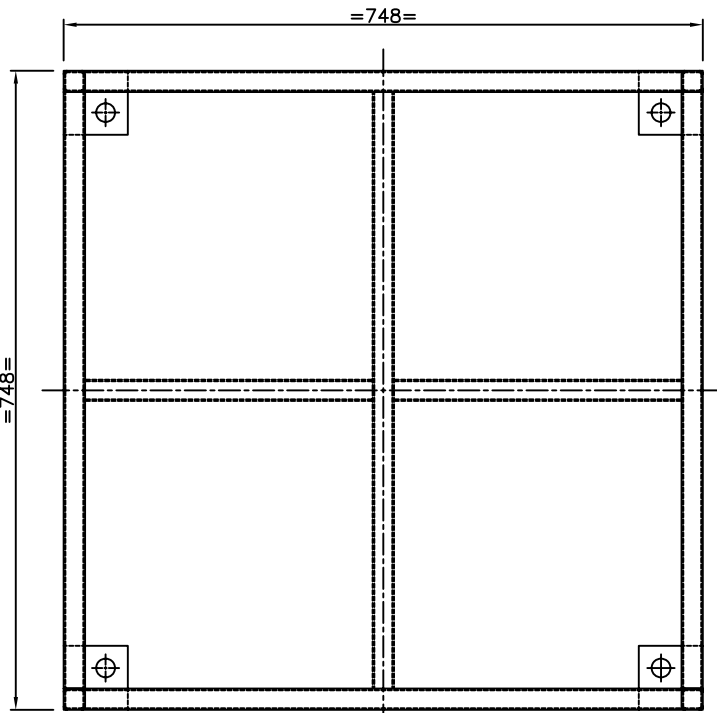


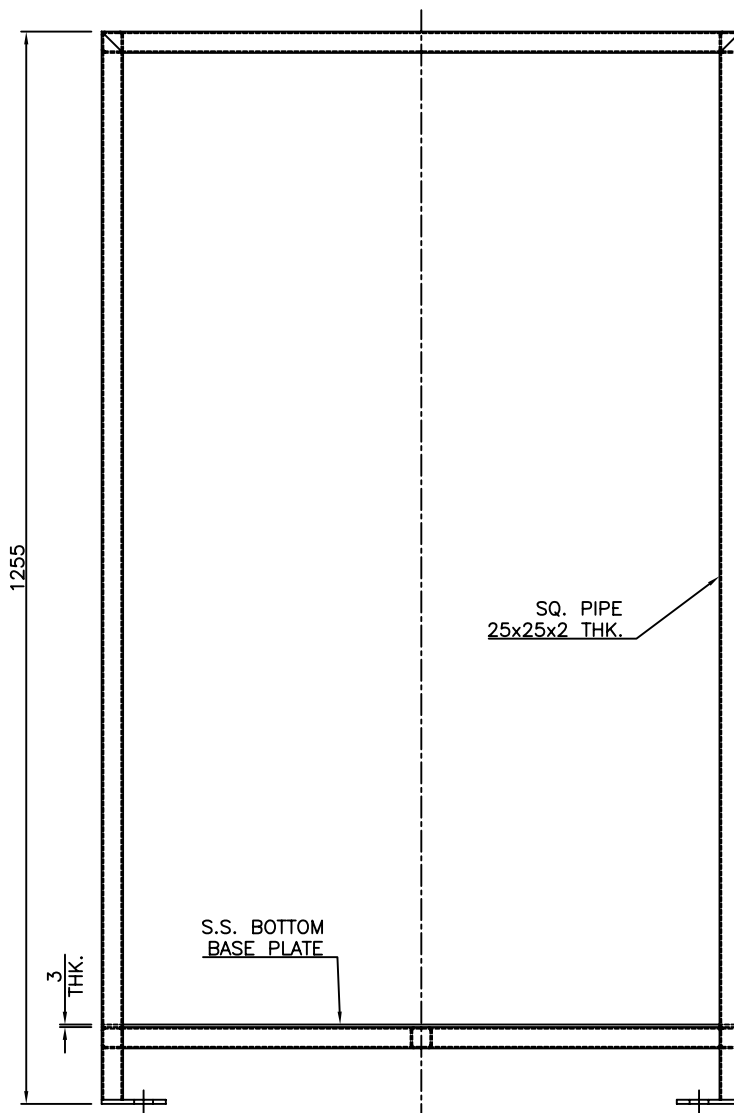
S.S. STRUCTURE CABINET DRAWING FOR CRUSHAAL 6000 165mm



S.S. CABINET BOTTOM BASE PLATE DRAWING
FOR CRUSHAAL 6000 165mm

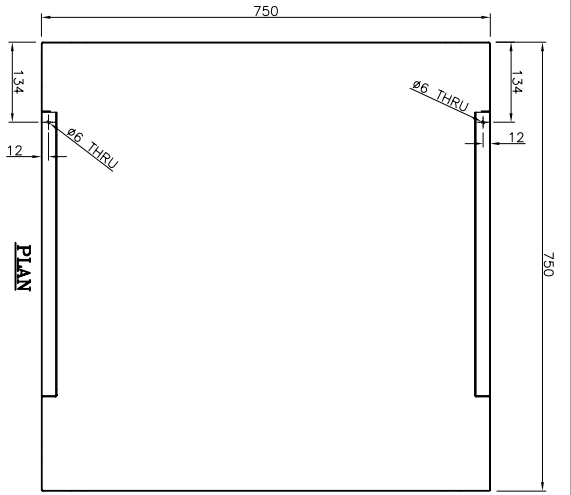


PLAN

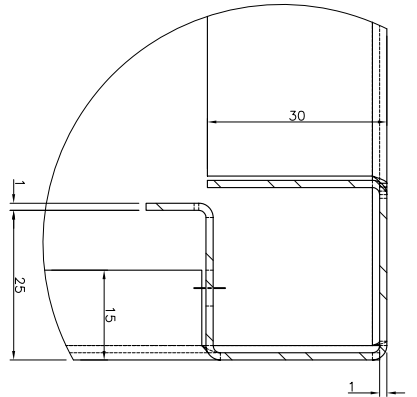


ELEVATION

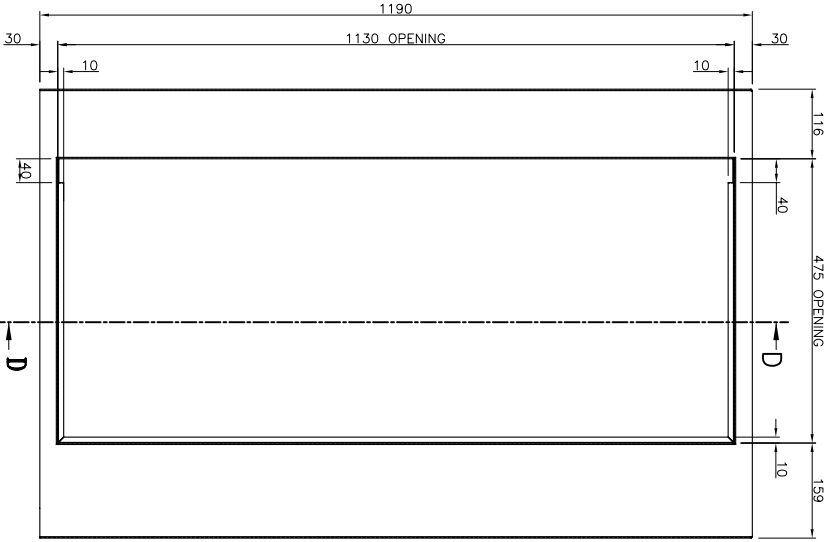
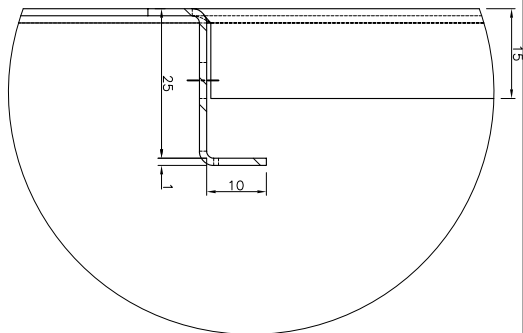
S.S. STRUCTURE CABINET WITH BOTTOM
BASE PLATE DRAWING
FOR CRUSHAAL 6000 165mm



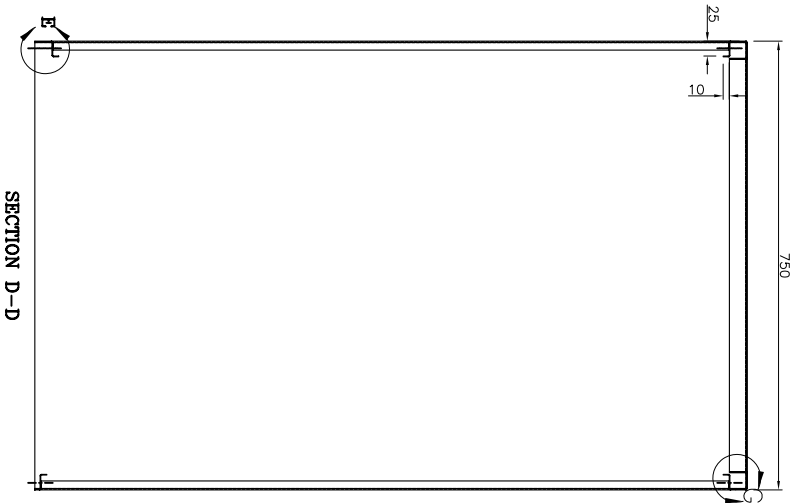
DETAIL G



DETAIL E

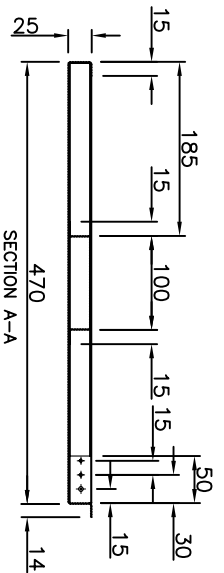
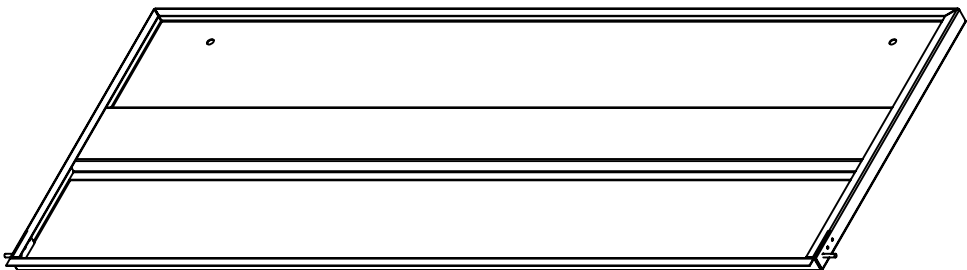
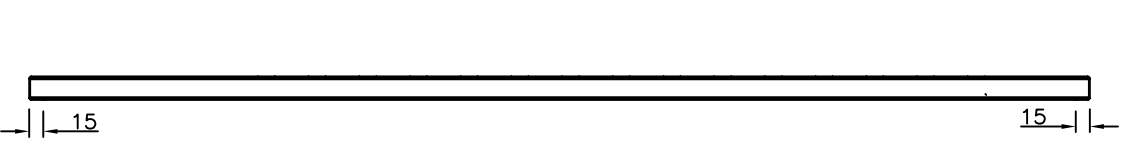
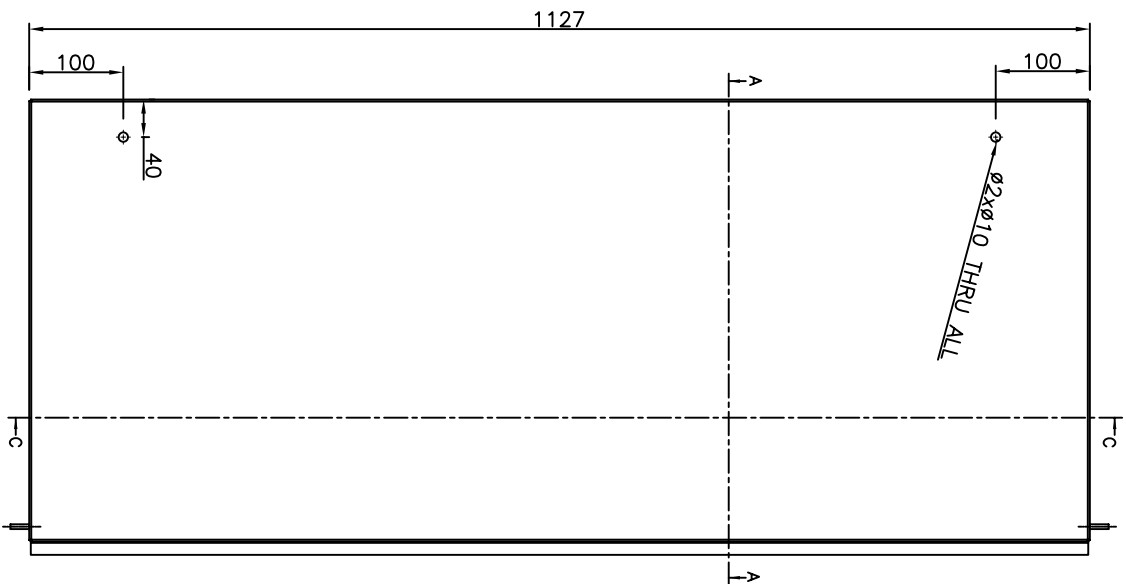
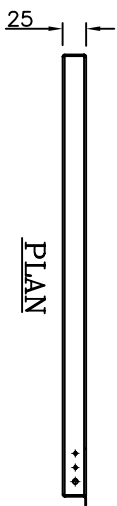


ELEVATION

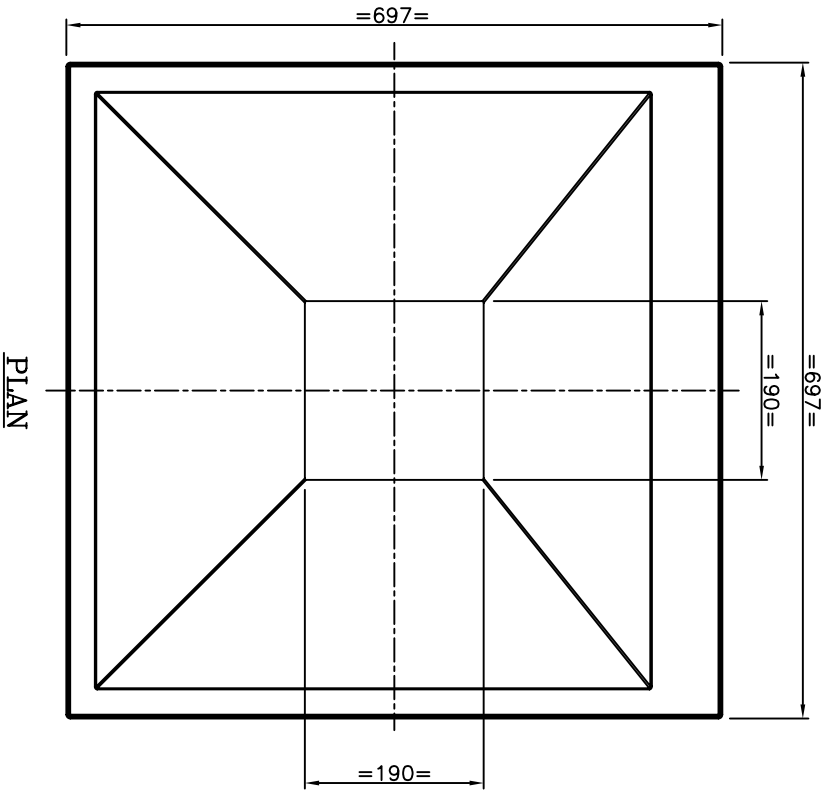


SECTION D-D

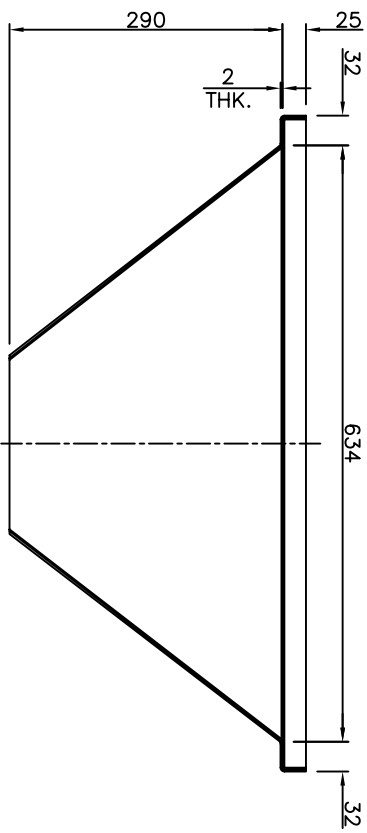
S.S. CABINET SIDE PANEL DRAWING
FOR CRUSHAL 6000 169mm



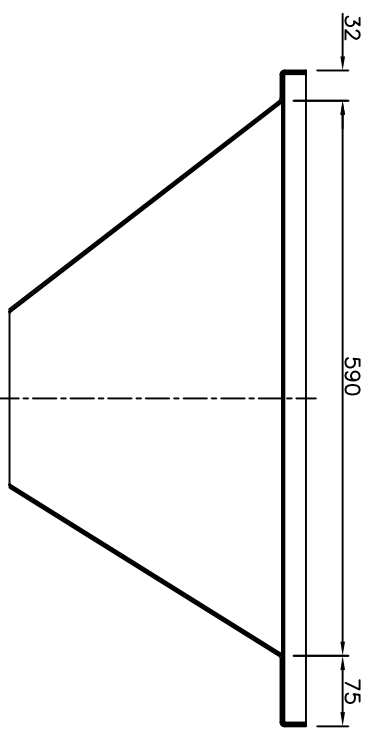
S.S. CABINET FRONT & BACK DOOR
 DRAWING FOR CRUSHAAL 6000 165mm



PLAN

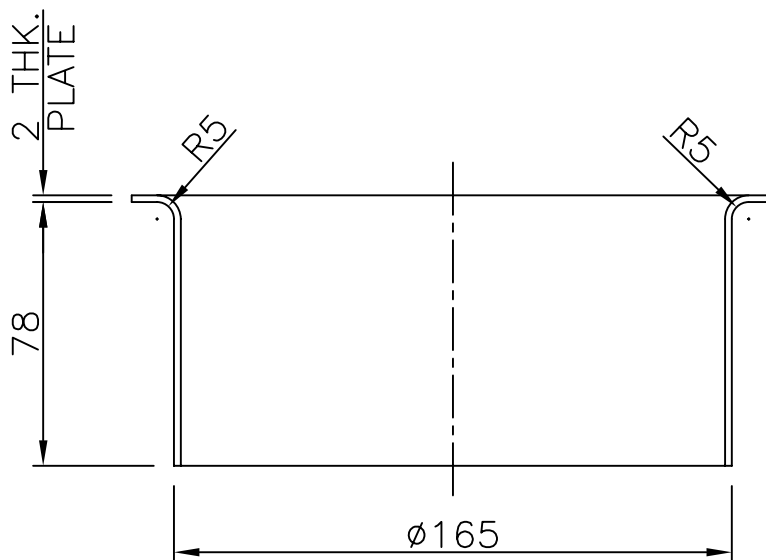
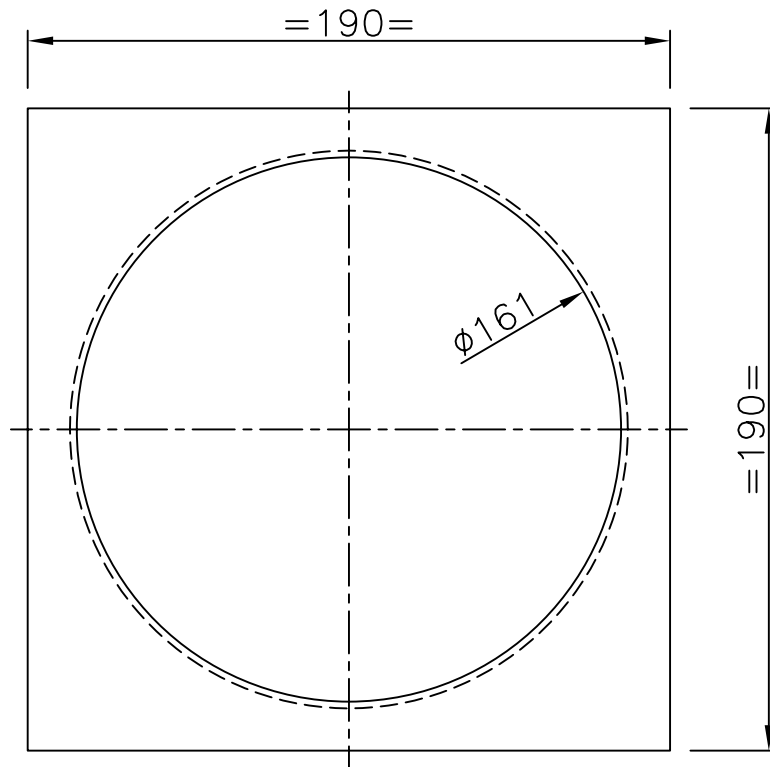


ELEVATION



SIDE VIEW

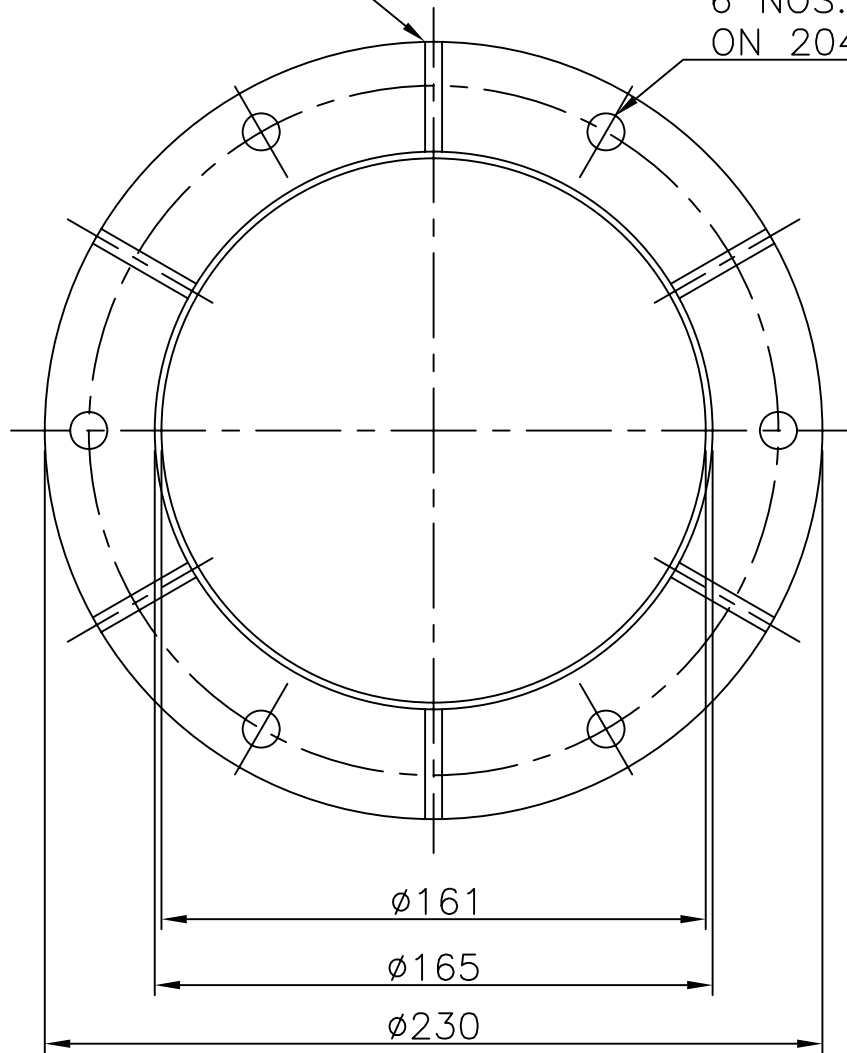
S.S. CABINET CONICAL SINK WITHOUT BOTTOM PLATE DRAWING
FOR CRUSHAAL 6000 165mm



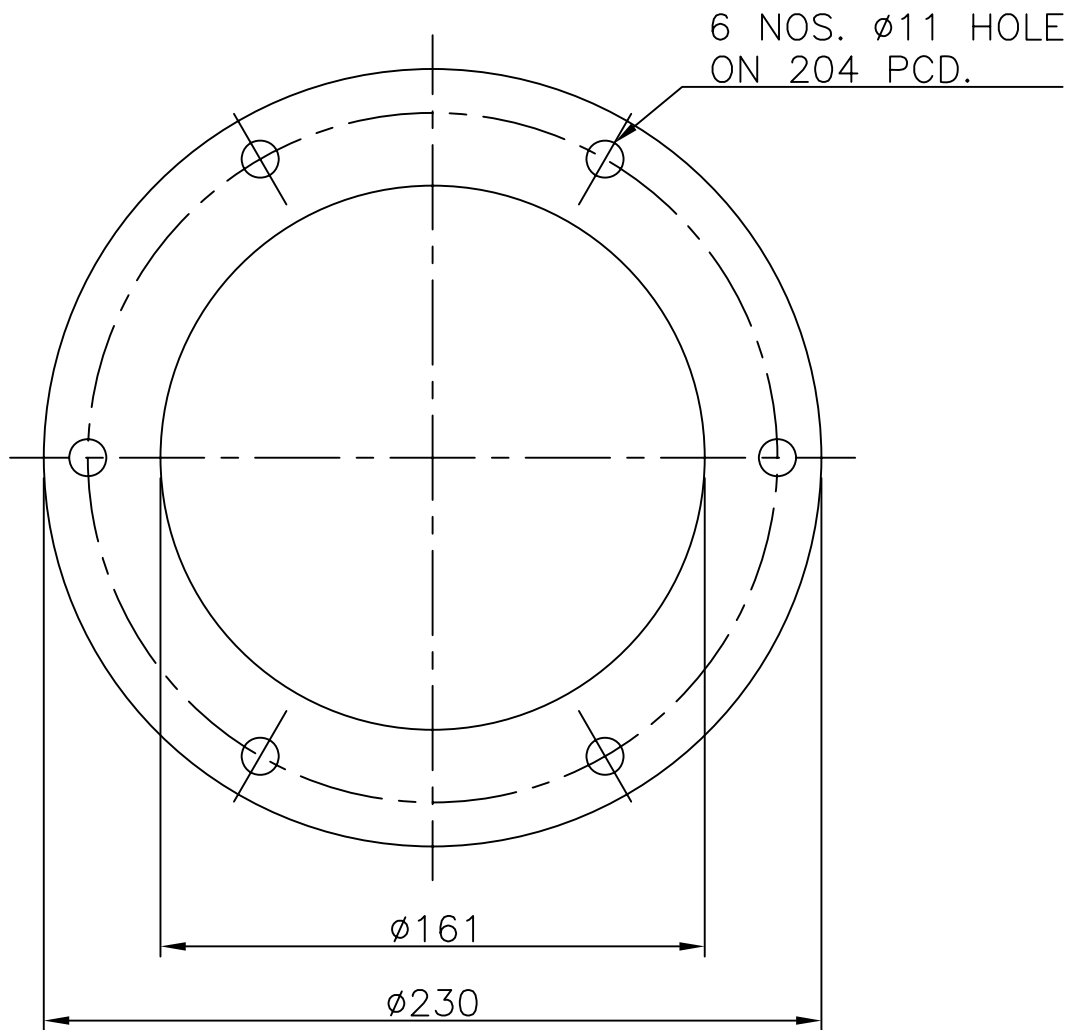
S.S. CABINET CONICAL SINK BOTTOM
PLATE DRAWING
FOR CRUSHAAL 6000 165mm

6 NOS. GUSSTE/
WELDED SUPPORT

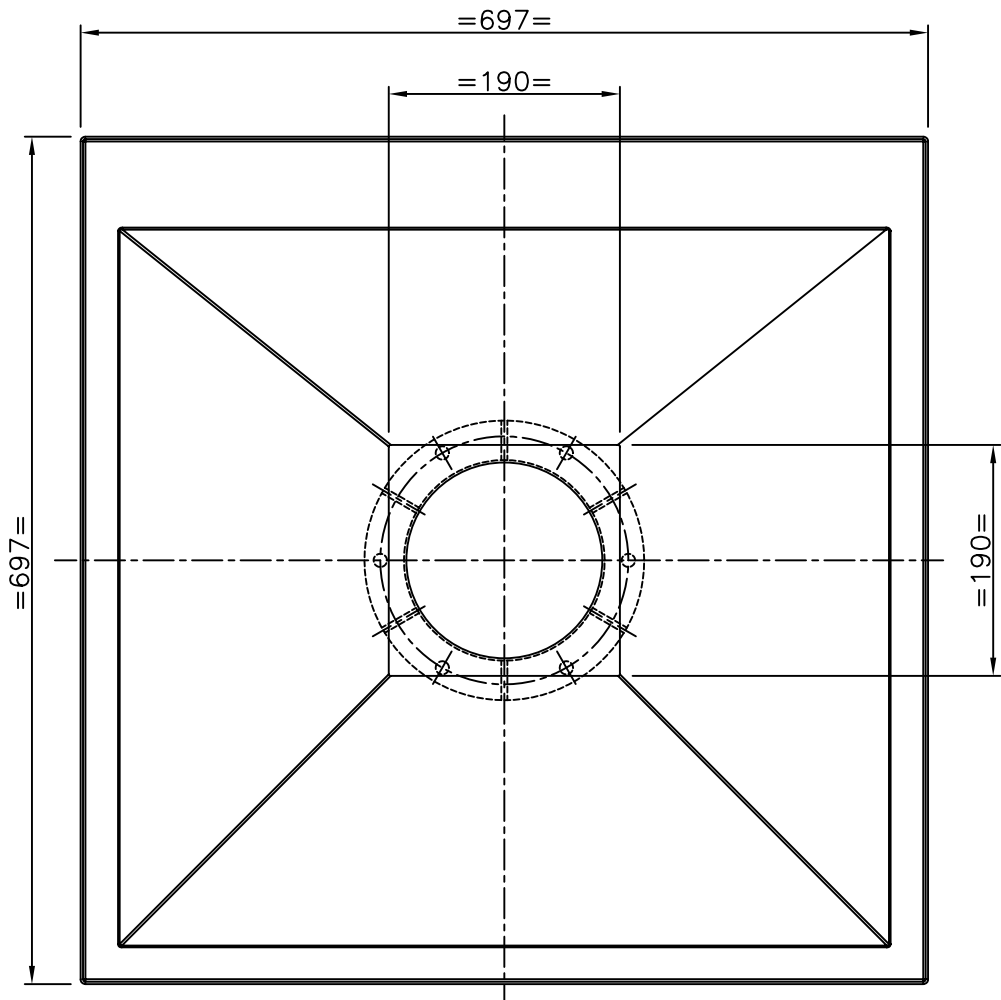
6 NOS. ϕ 11 HOLE
ON 204 PCD.



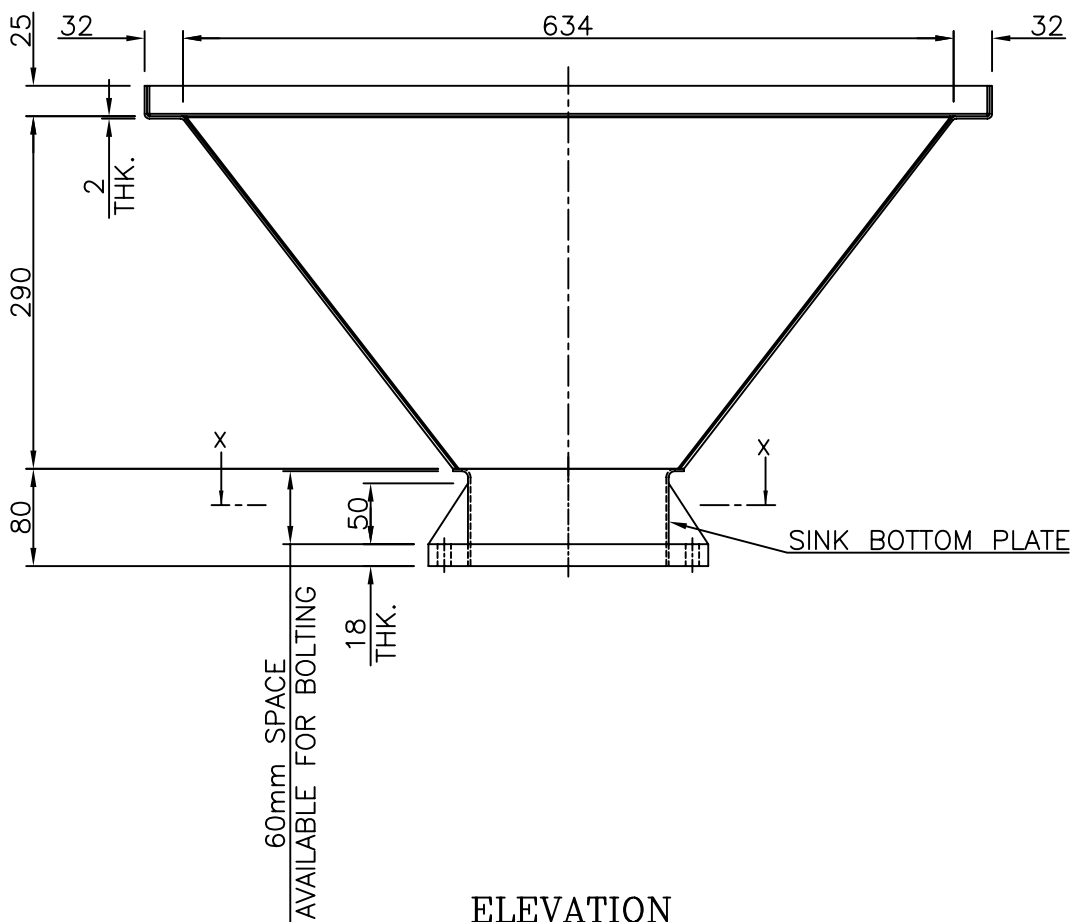
SECTION A-A
S.S. CABINET CONICAL SINK BOTTOM
OUTLET FLANGE DRAWING
FOR CRUSHAAL 6000 165mm



S.S. CABINET CONICAL SINK BOTTOM
OUTLET FLANGE GASKET DRAWING
FOR CRUSHAAL 6000 165mm

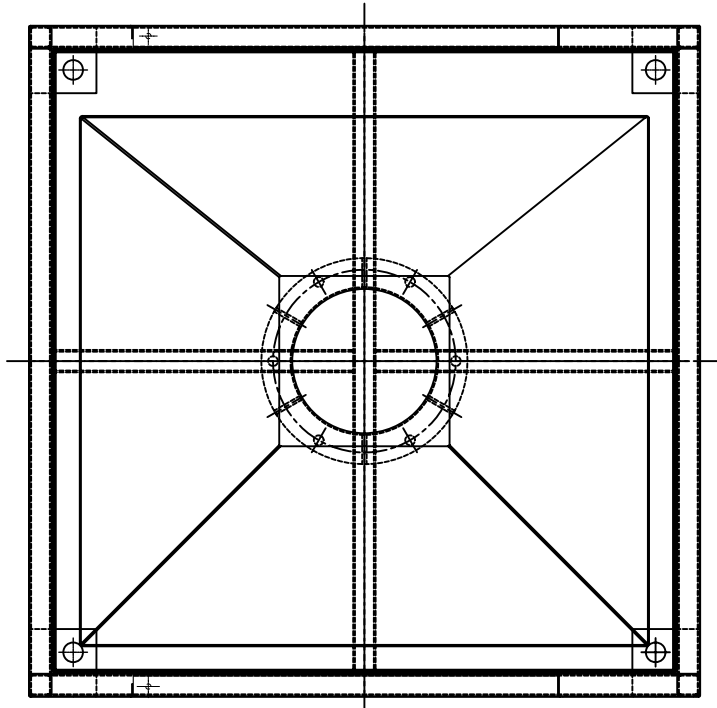


PLAN

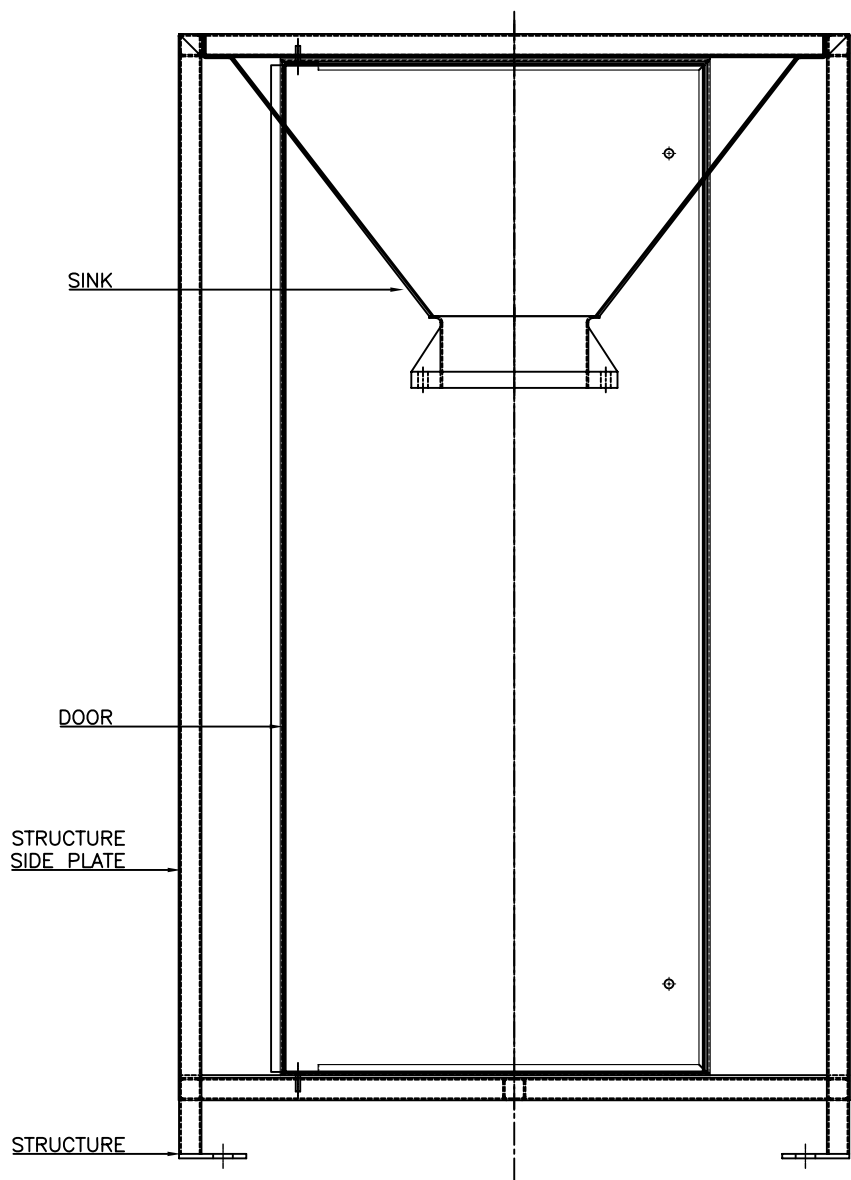


ELEVATION

S.S. CABINET CONICAL SINK WITH BOTTOM
PLATE DRAWING FOR CRUSHAAL 6000 165mm

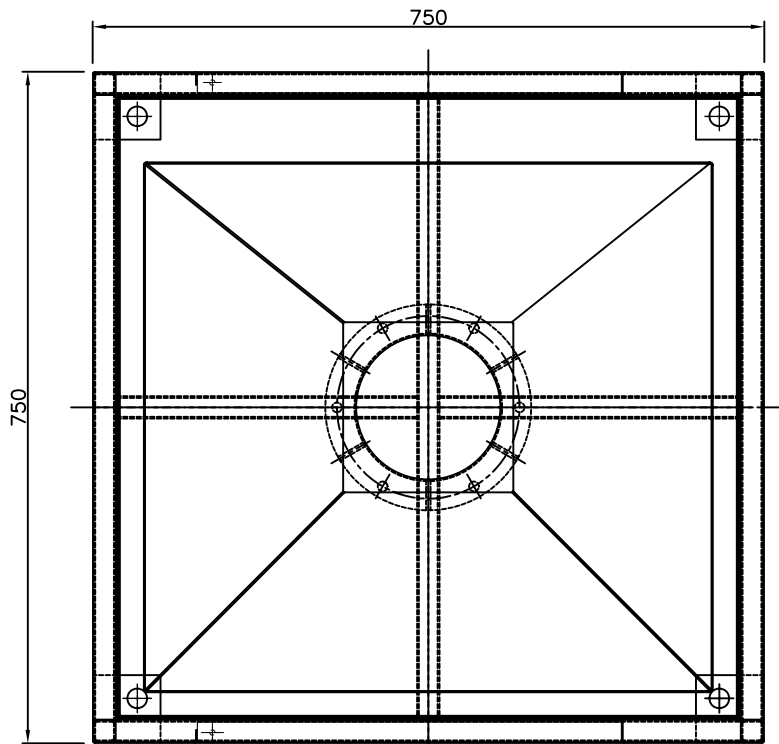


PLAN

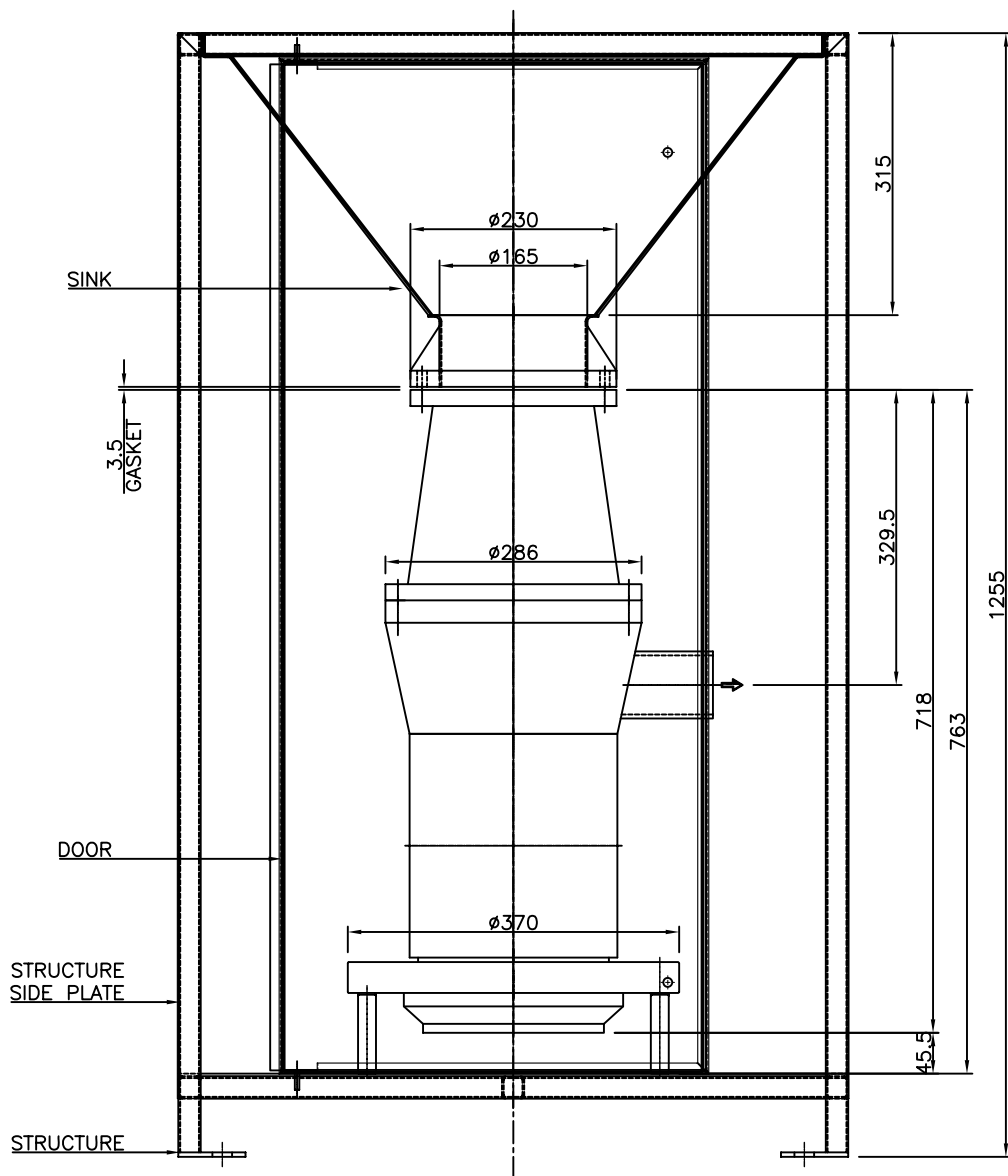


ELEVATION

S.S. CABINET ASSEMBLY DRAWING
FOR CRUSHAAL 6000 165mm



PLAN



ELEVATION

S.S. CABINET ASSEMBLY DRAWING
 FITTED WITH CRUSHAAL 6000 165mm