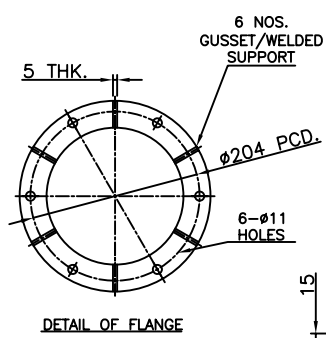
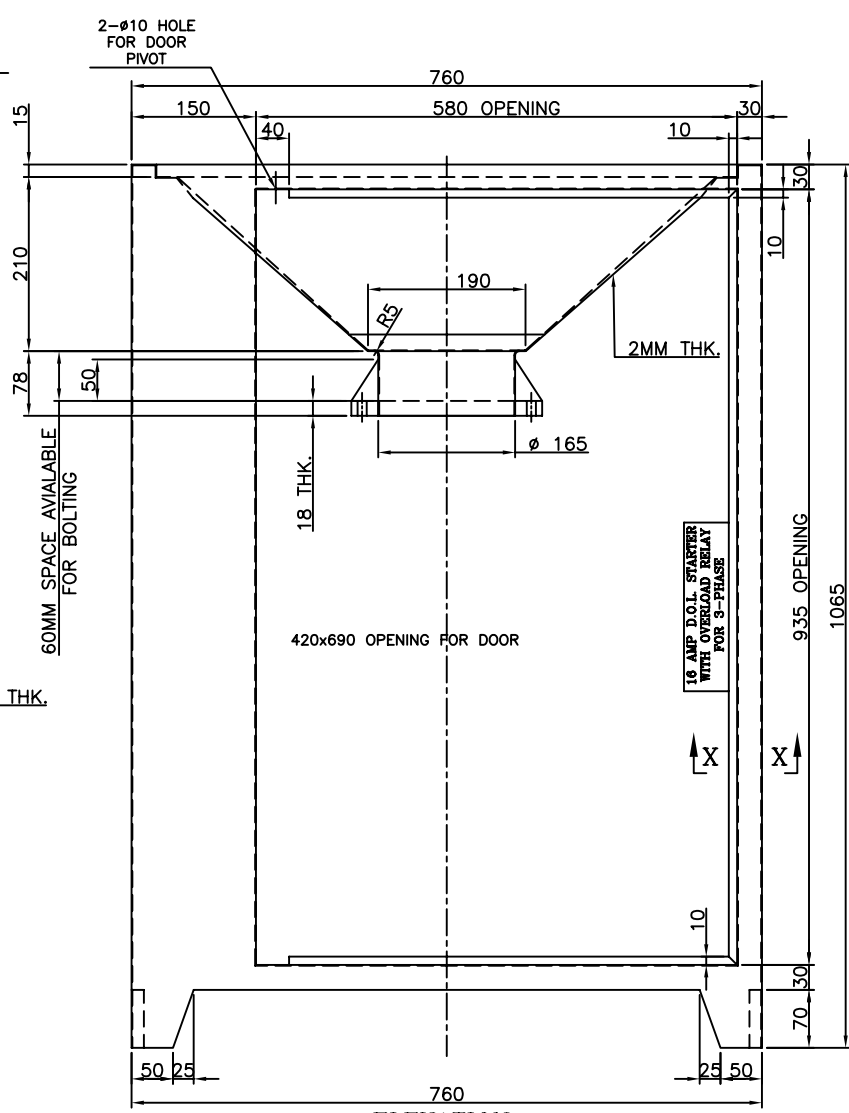


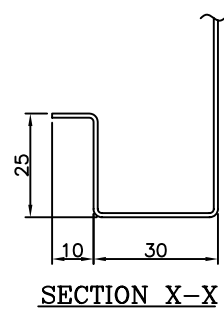
PLAN



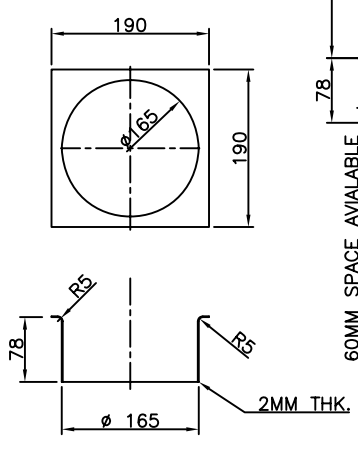
DETAIL OF FLANGE



ELEVATION



SECTION X-X



60MM SPACE AVAILABLE FOR BOLTING

420x690 OPENING FOR DOOR

16 AMP D.O.L. STARTER WITH OVERLOAD RELAY FOR 3-PHASE

ALL PLATE 1mm THK.
QTY: 01 Nos.

NOTE:
ALL DIMENSIONS ARE IN MM UNLESS OTHERWISE SPECIFIED

ZACCH RAJGURRU APPLIANCE P LTD.
VATVA GAM, AHMEDABAD-382440.
M.9426015200

TITLE: S.S. CABINET FOR CRUSHAAL 3000 & 6000-3 PHASE MODEL		SCALE: N.T.S.
DRAWN BY: MAHESH	DRG. NO. SKETCH-006/1	
DATE: 24.11.2010		