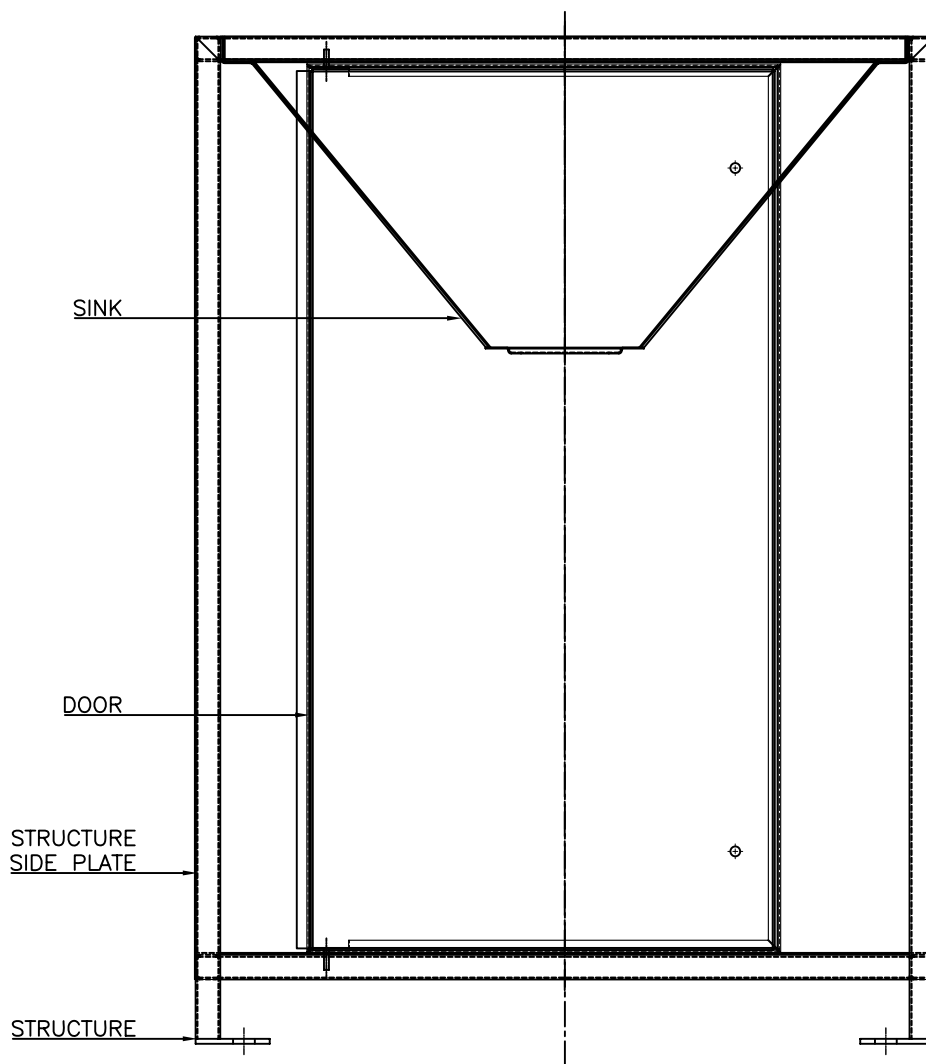
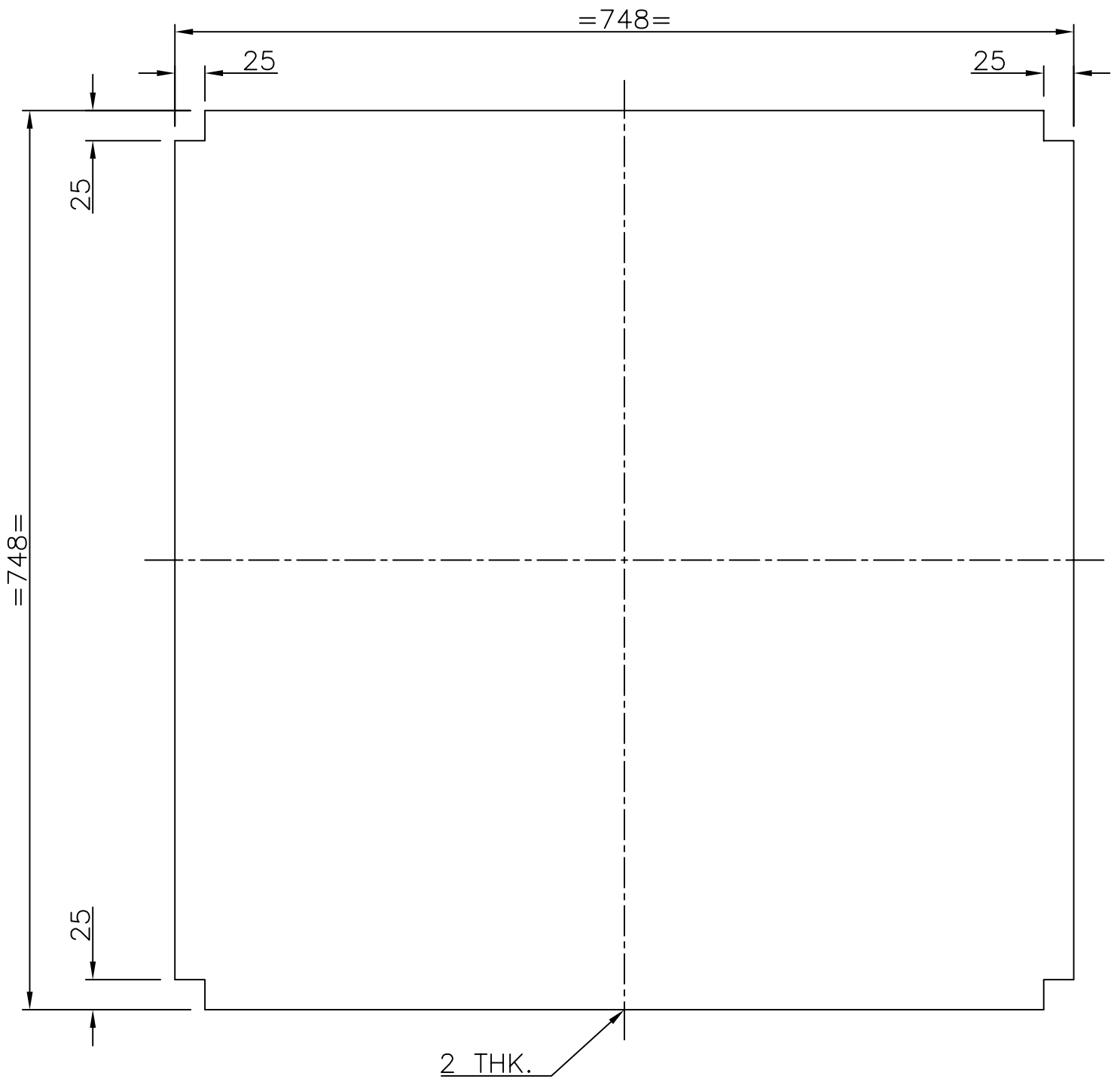


PLAN

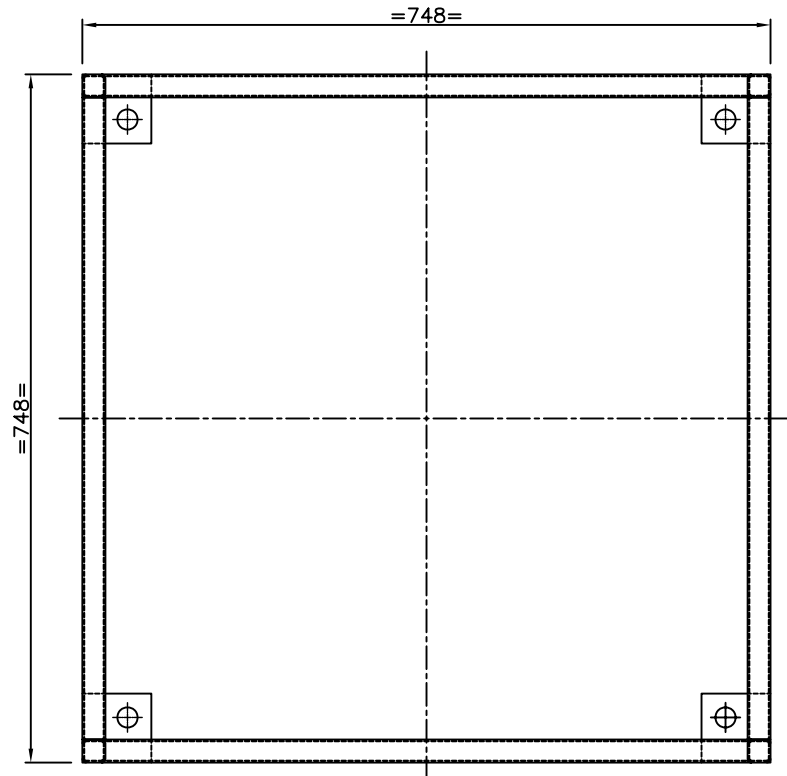


ELEVATION

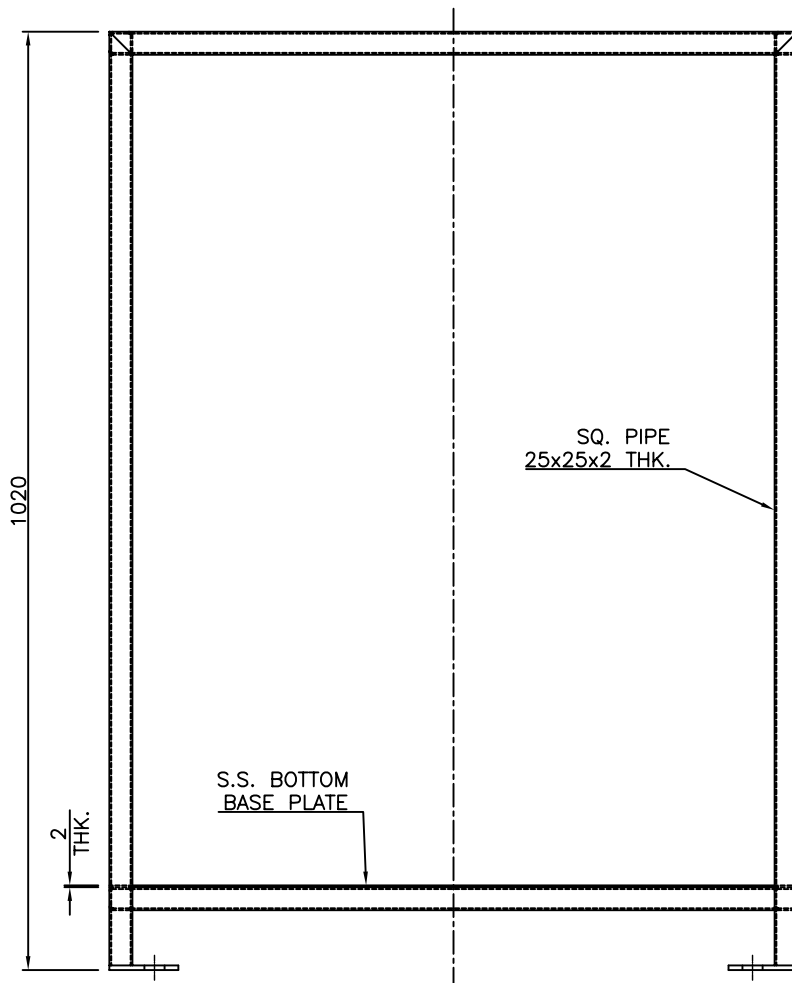
S.S. CABINET ASSEMBLY DRAWING
FOR CRUSHAAL 3000 89mm



S.S. CABINET BOTTOM BASE PLATE DRAWING
FOR CRUSHAAL 3000 89mm

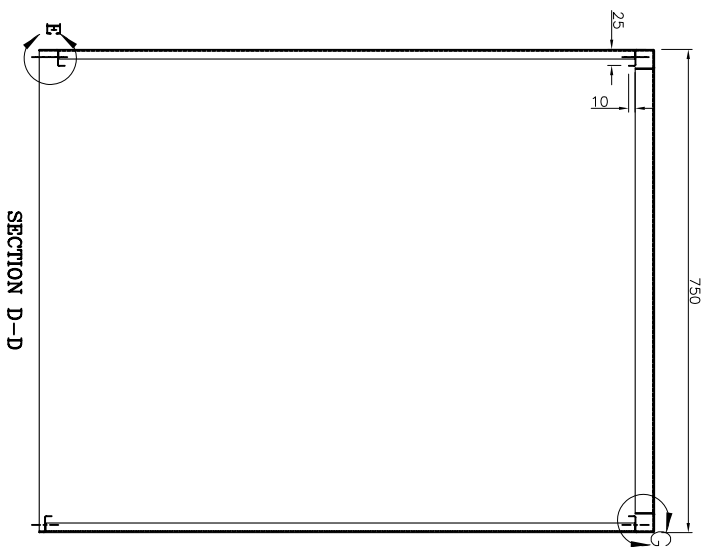
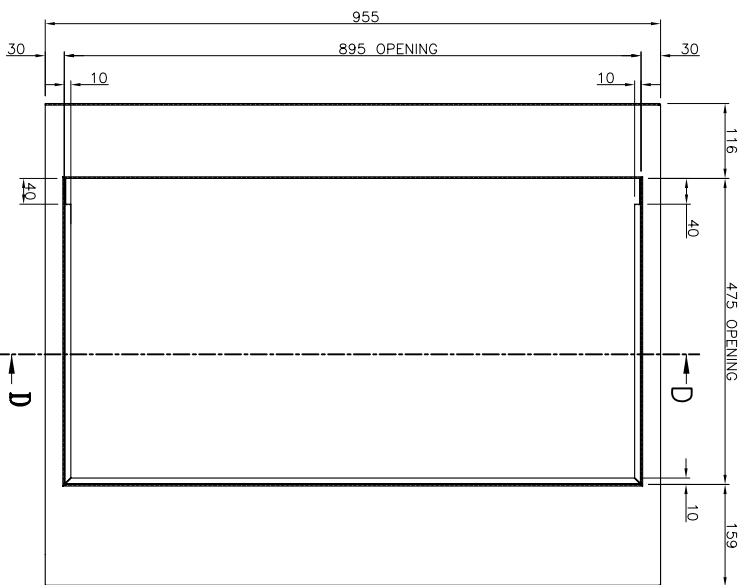
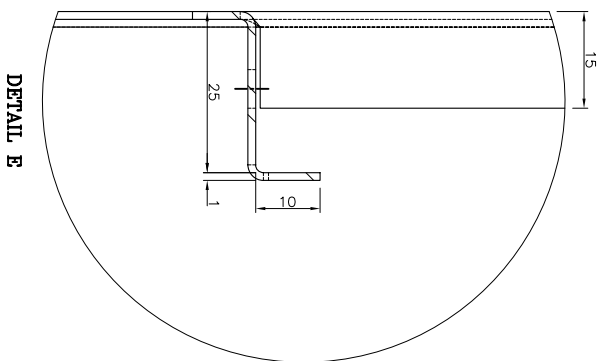
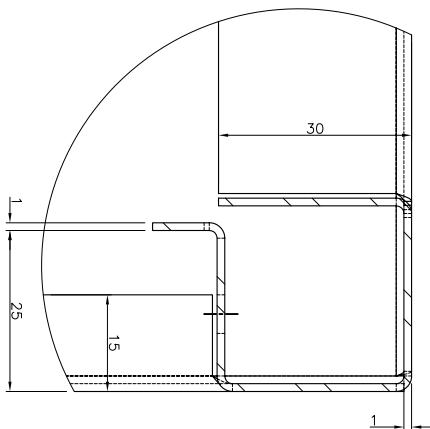
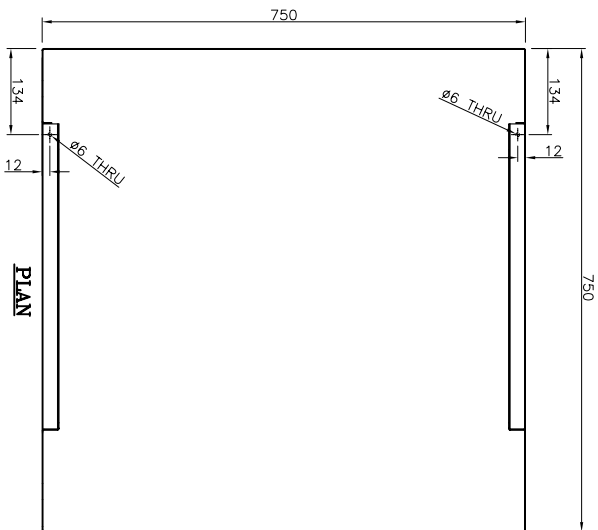


PLAN

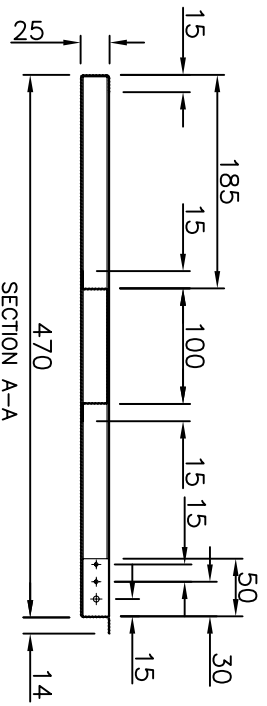
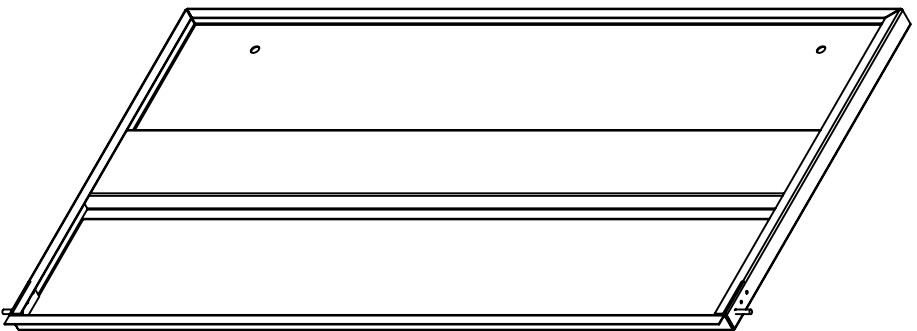
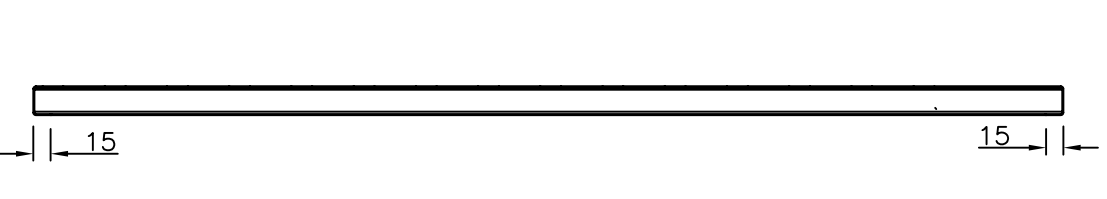
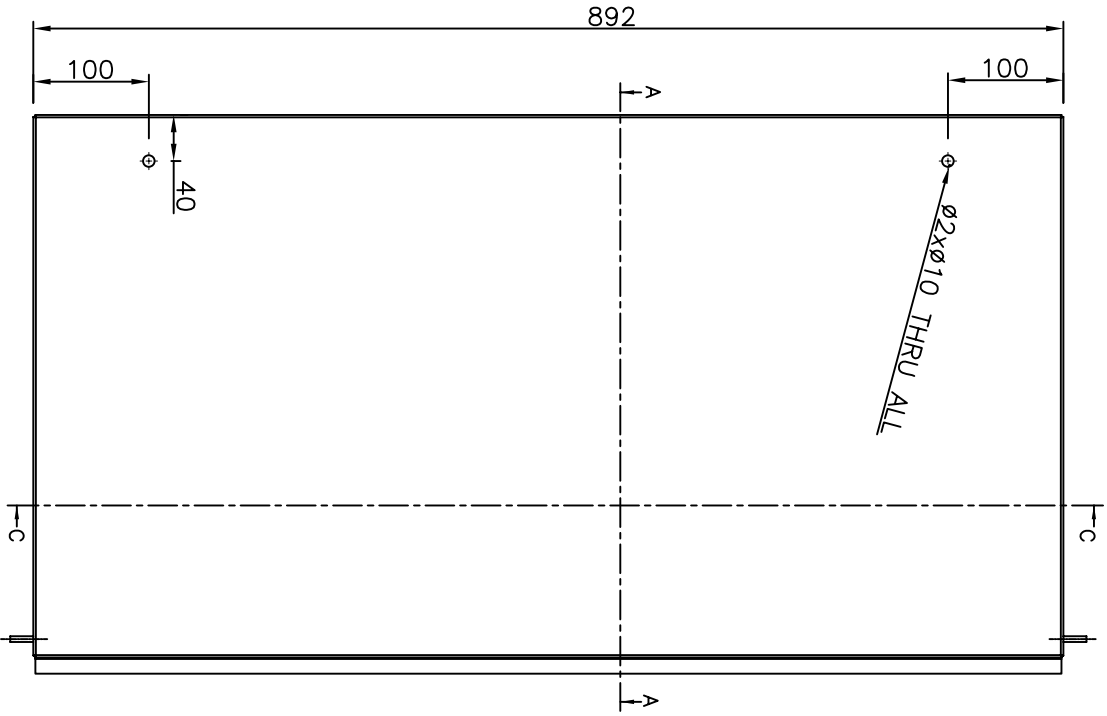
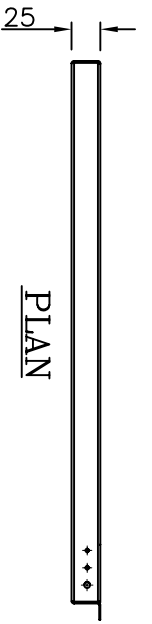


ELEVATION

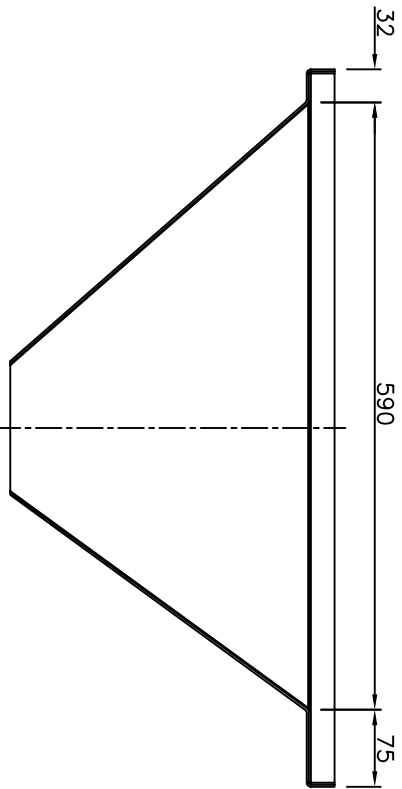
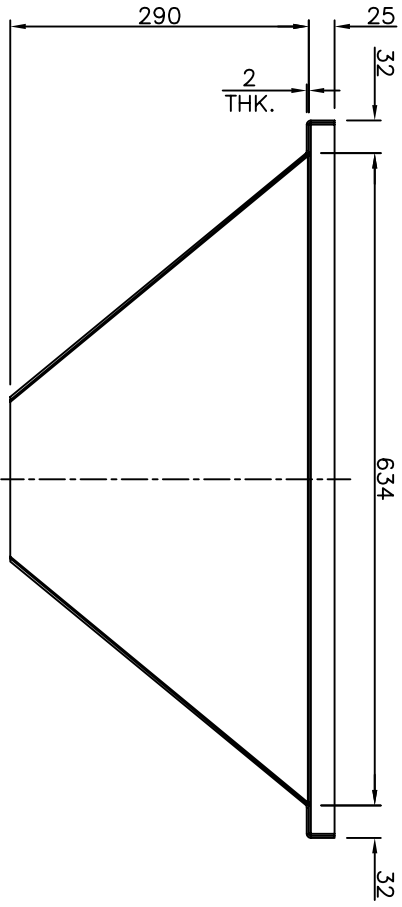
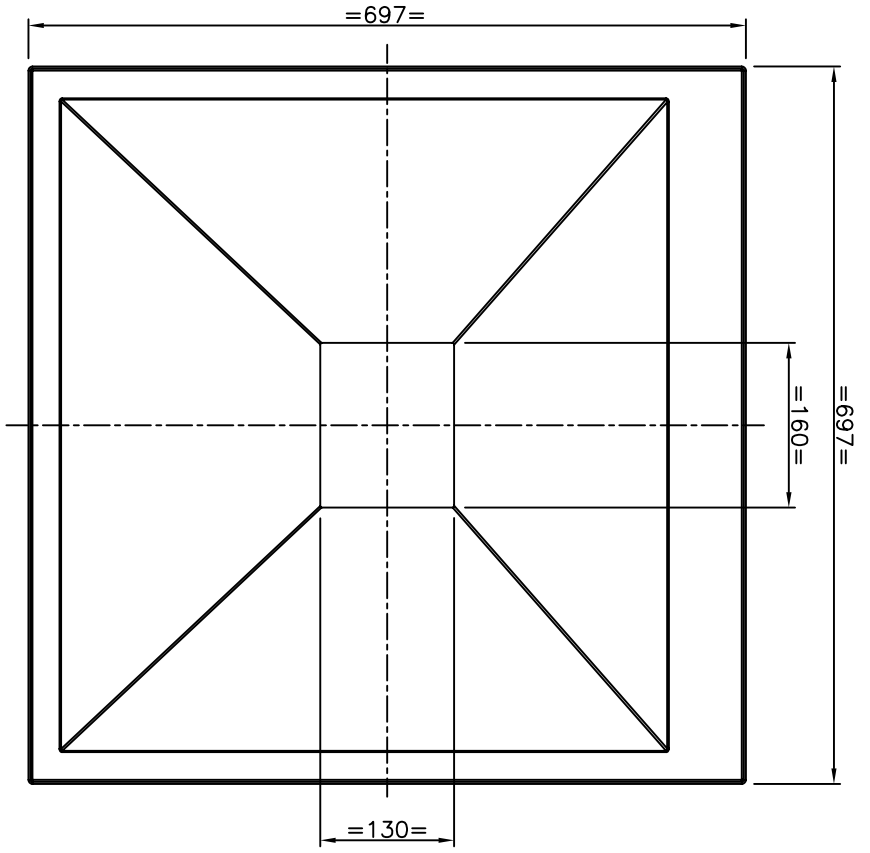
S.S. STRUCTURE CABINET WITH BOTTOM
BASE PLATE DRAWING
FOR CRUSHAAL 3000 89mm



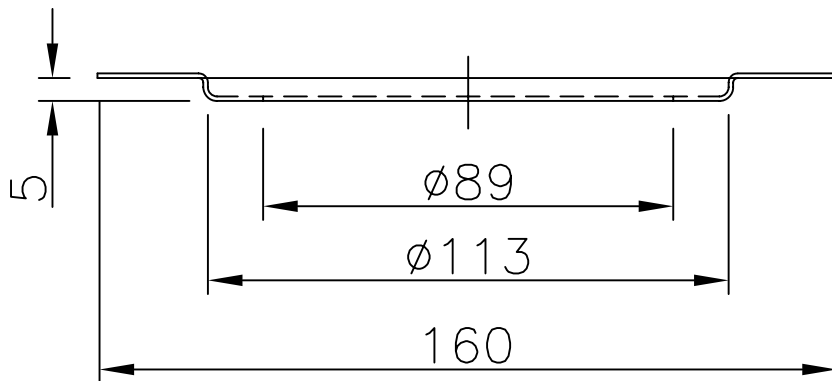
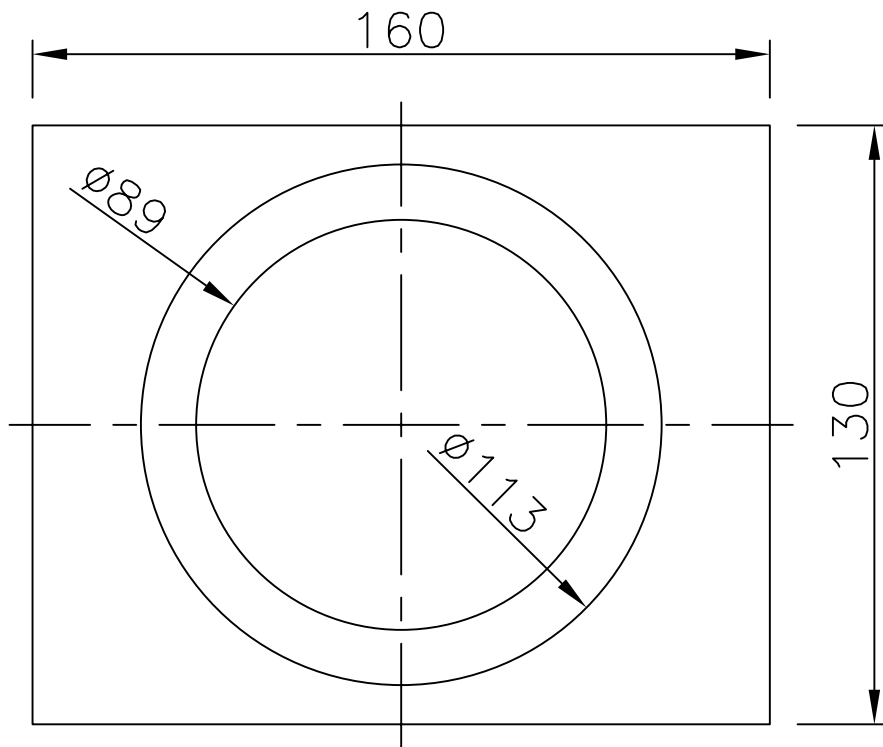
S.S. CABINET SIDE PANEL DRAWING
FOR CRUSHAL 3000 89mm



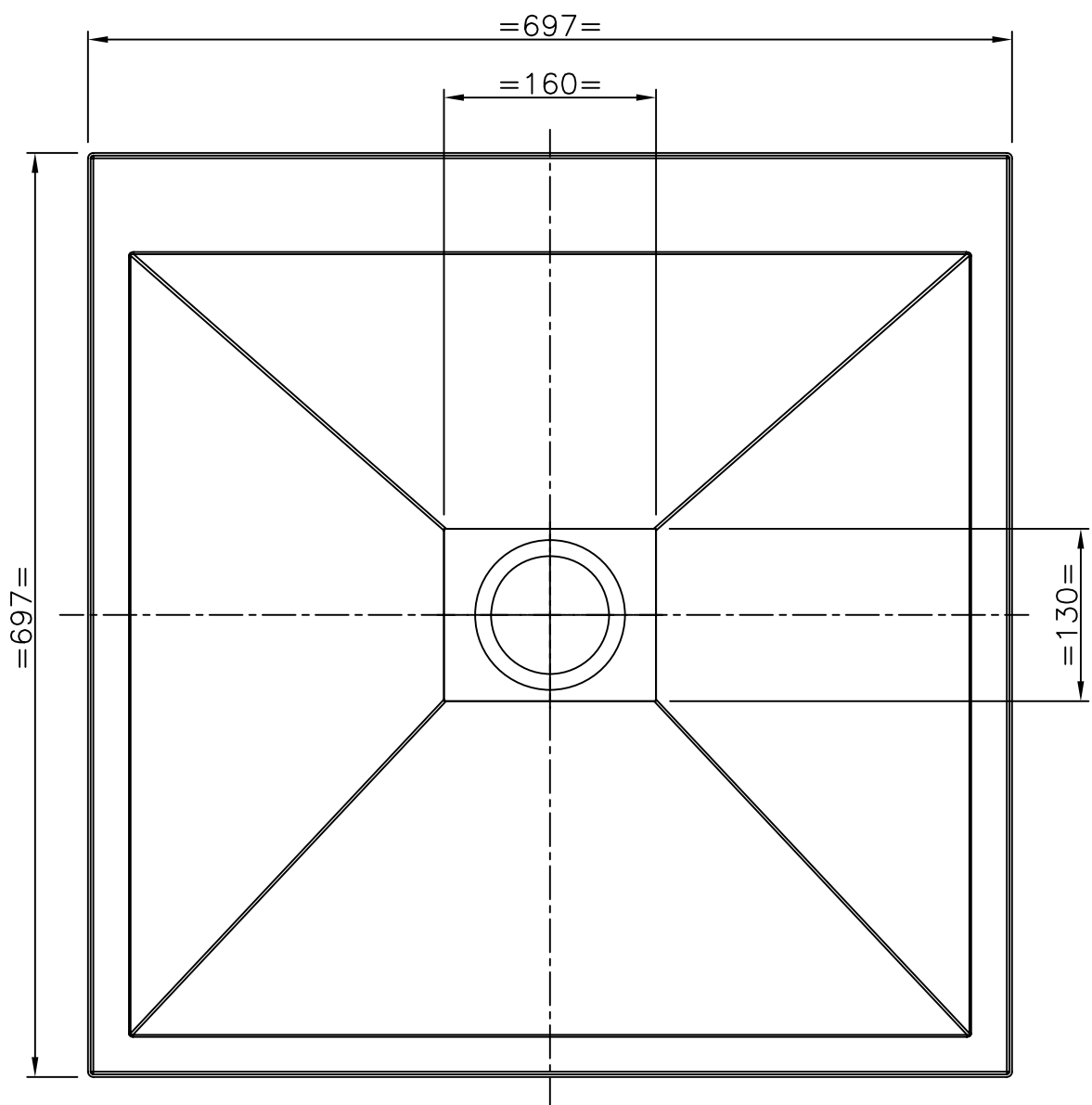
S.S. CABINET FRONT & BACK DOOR
DRAWING FOR CRUSHAAL 3000 89mm



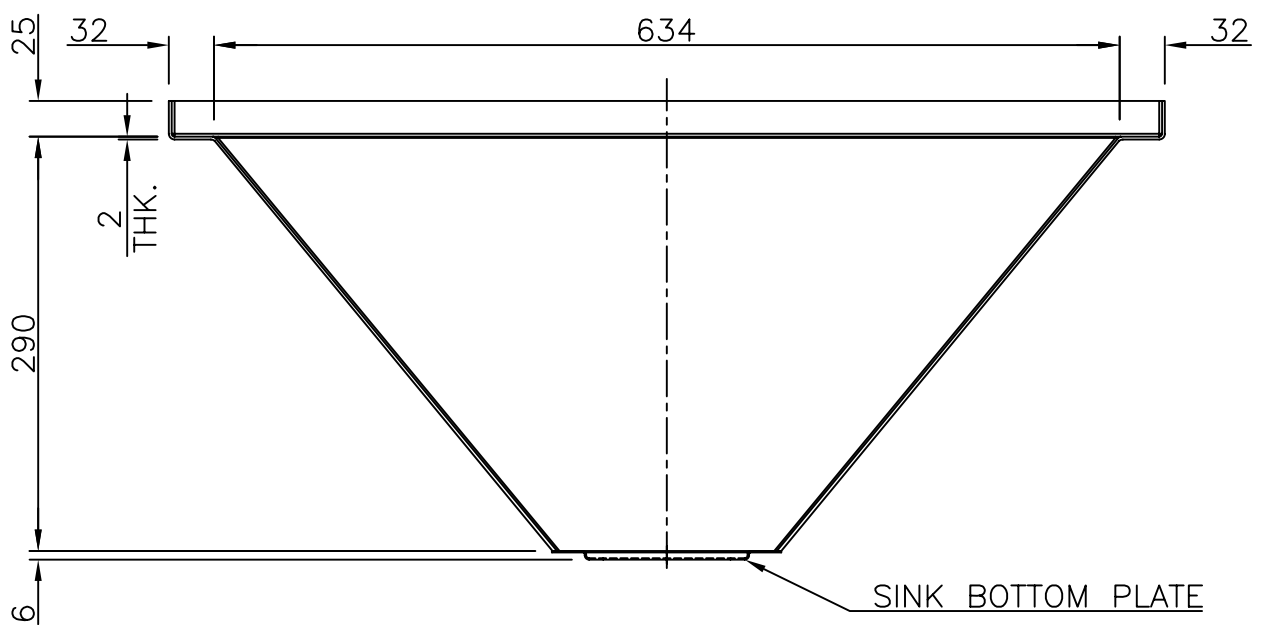
S.S. CABINET CONICAL SINK WITHOUT BOTTOM PLATE DRAWING
FOR CRUSHAAL 3000 89mm



S.S. CABINET CONICAL SINK BOTTOM
PLATE DRAWING
FOR CRUSHAAL 3000 89mm

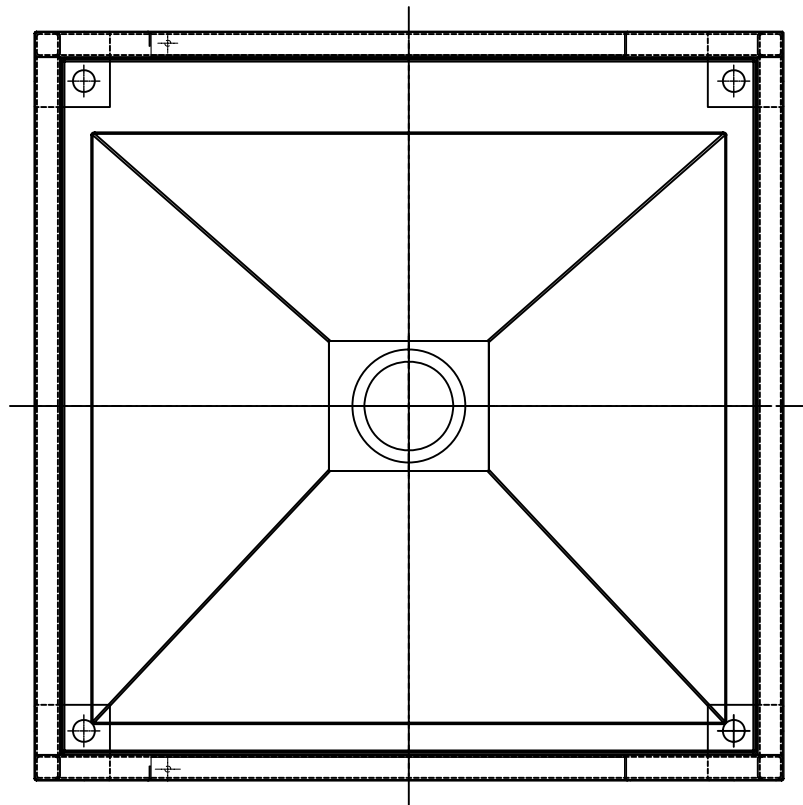


PLAN

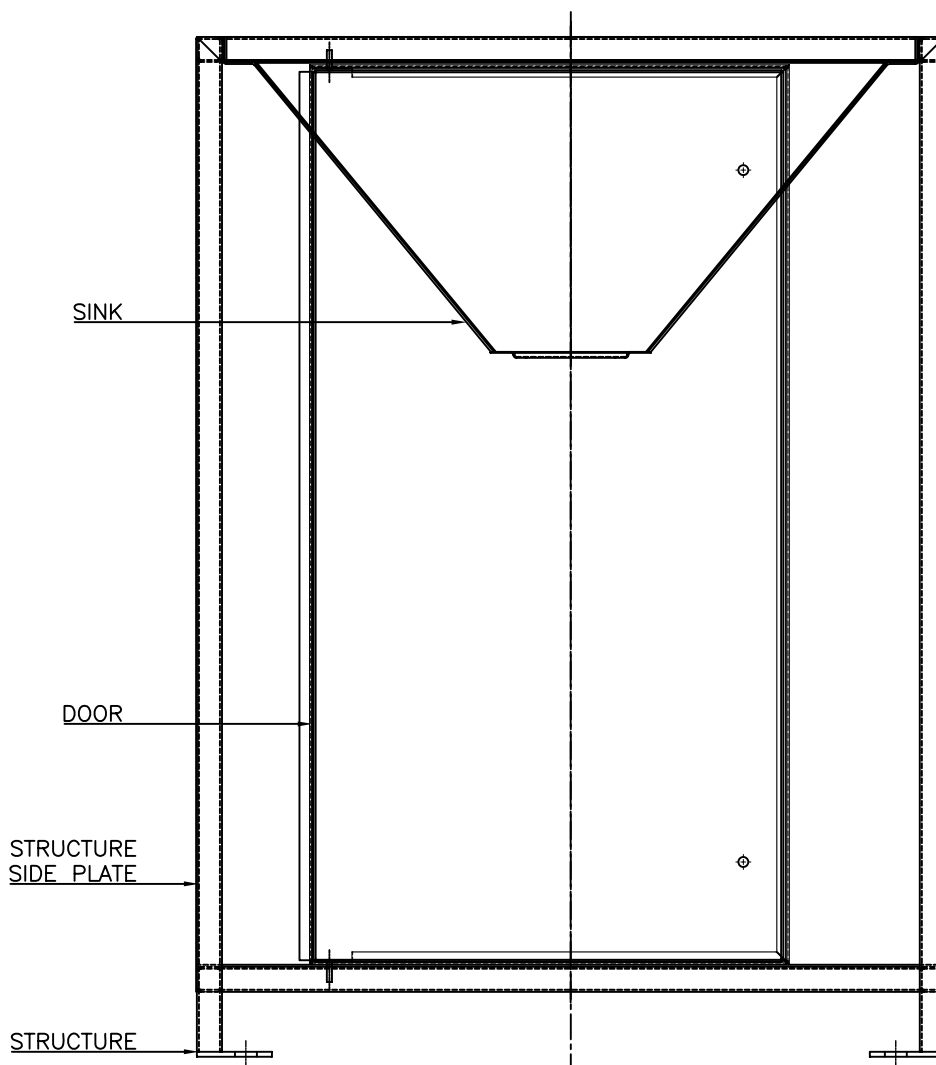


ELEVATION

S.S. CABINET CONICAL SINK WITH BOTTOM
 PLATE DRAWING FOR CRUSHAAL 3000 89mm

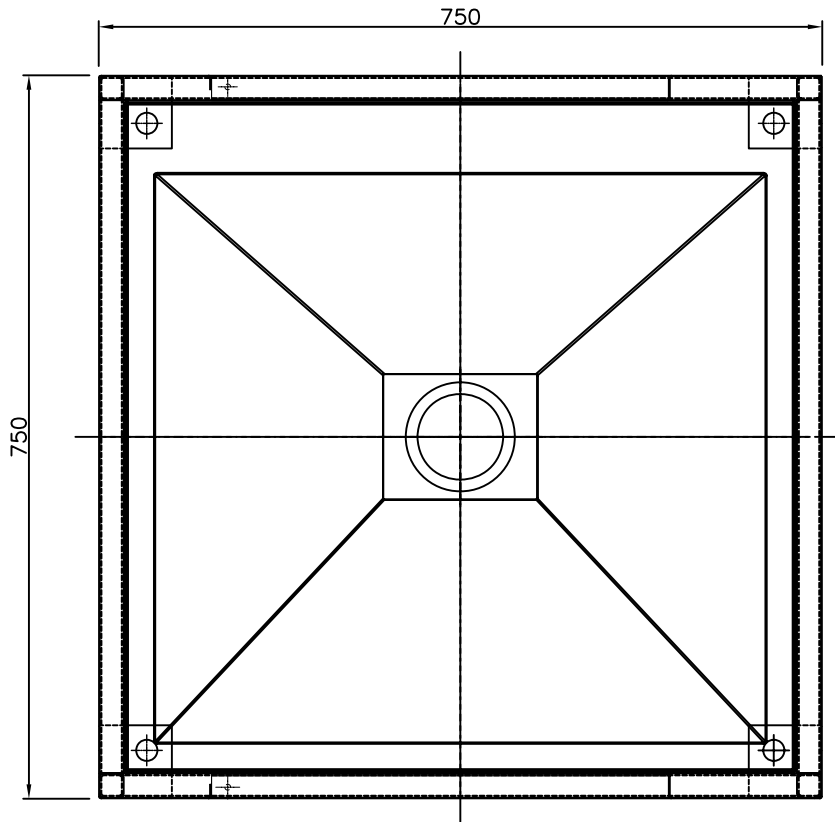


PLAN

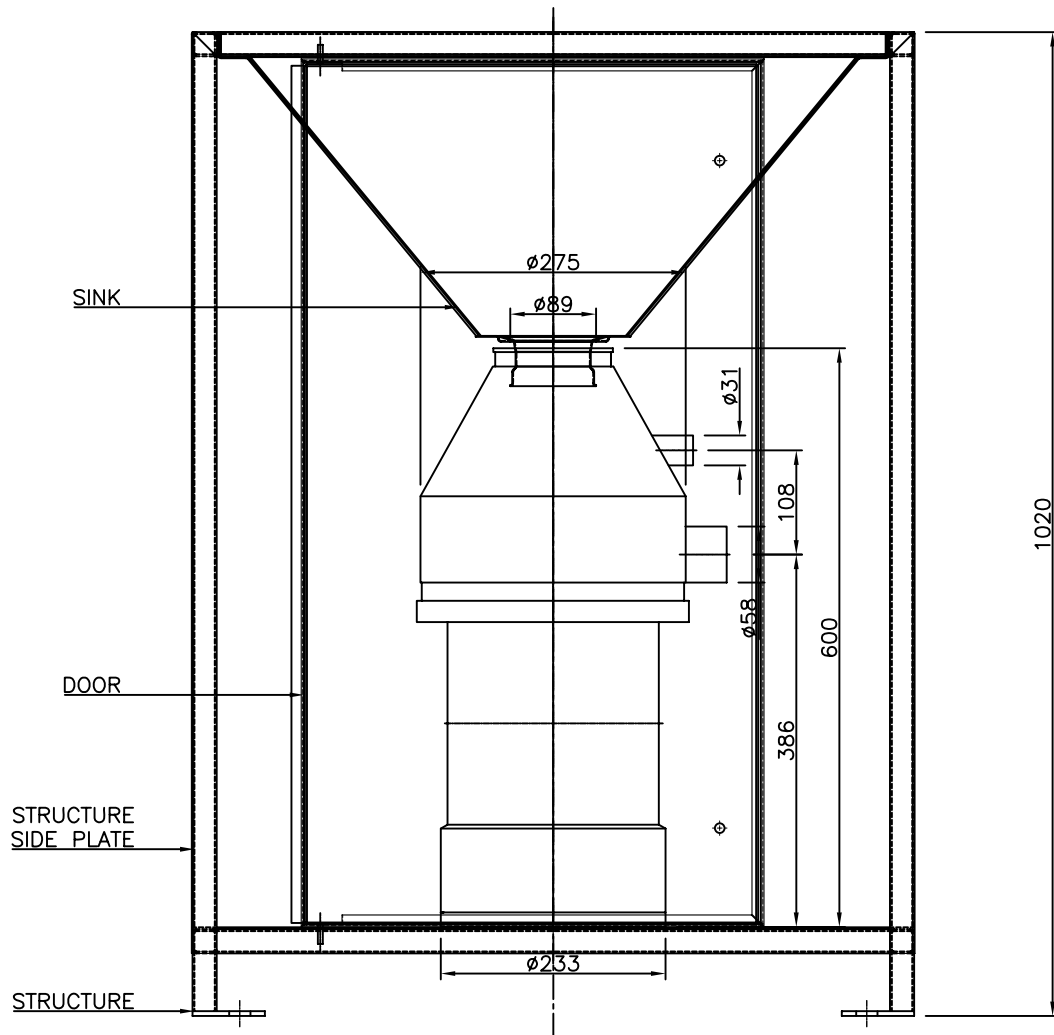


ELEVATION

S.S. CABINET ASSEMBLY DRAWING
FOR CRUSHAAL 2100 89mm



PLAN



ELEVATION

**S.S. CABINET ASSEMBLY DRAWING
FITTED WITH CRUSHAAL 3000 89mm**