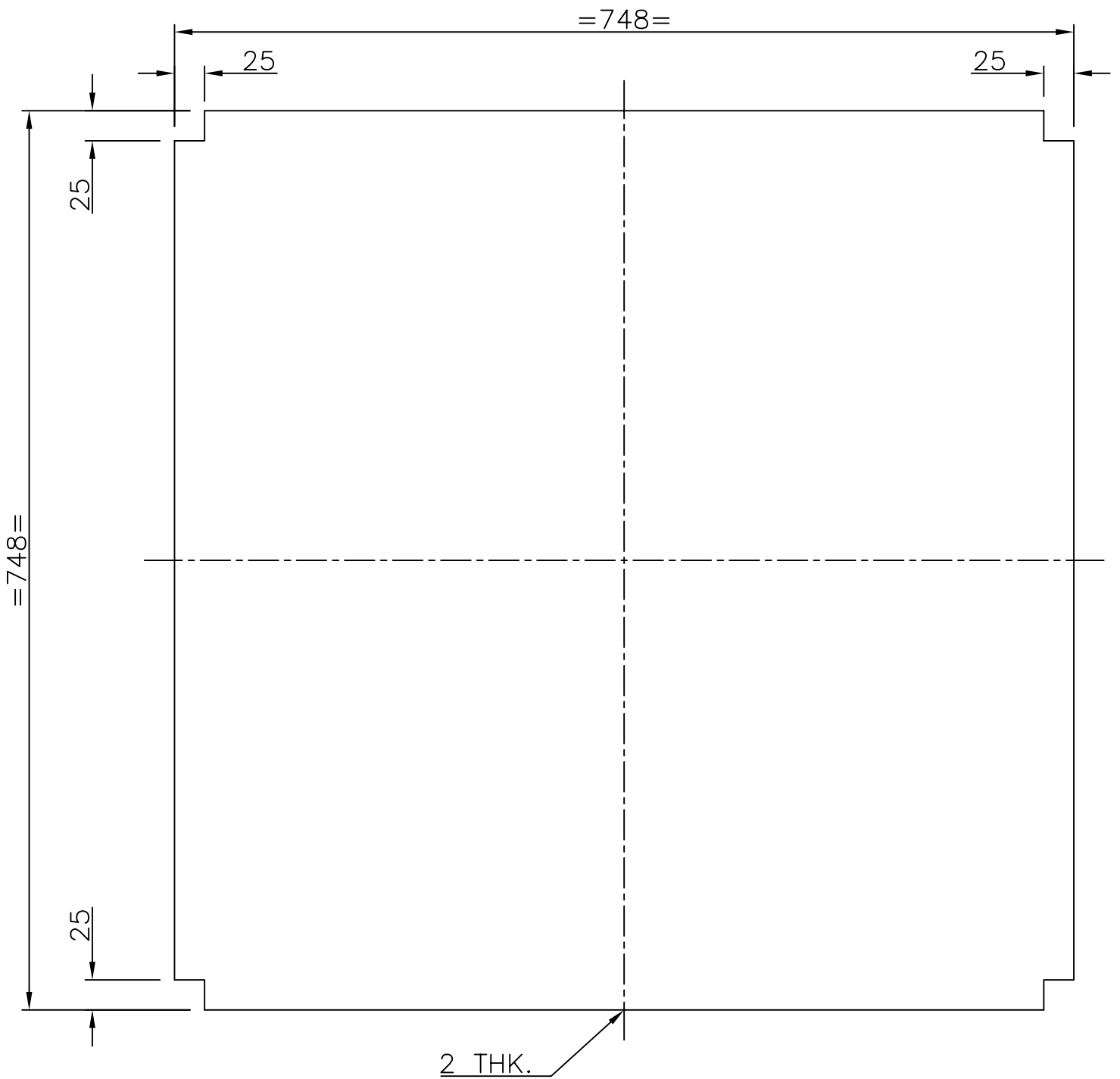
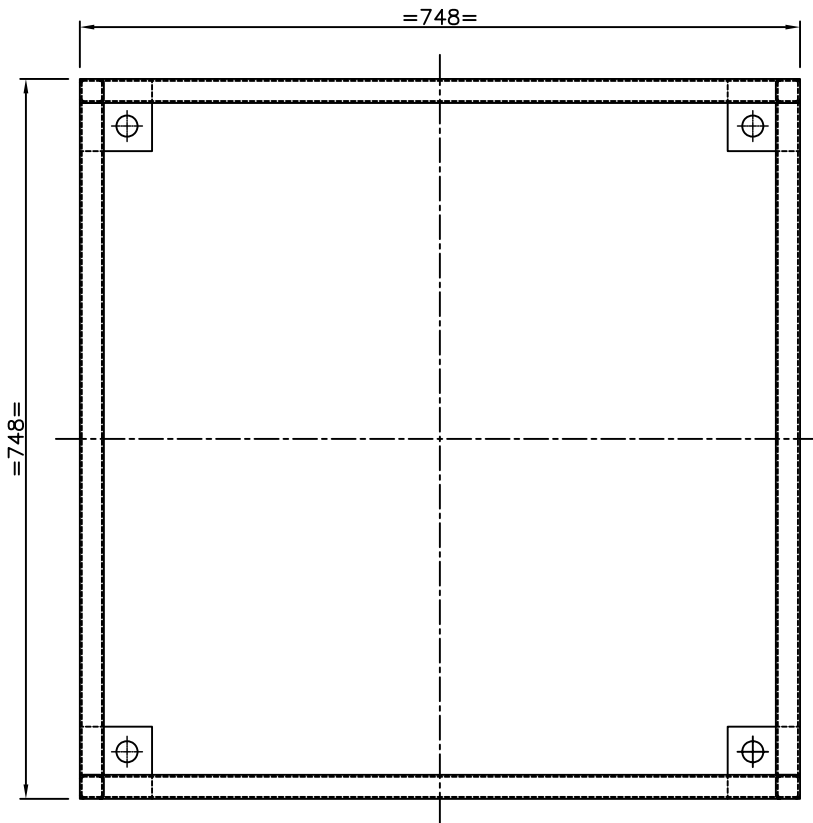


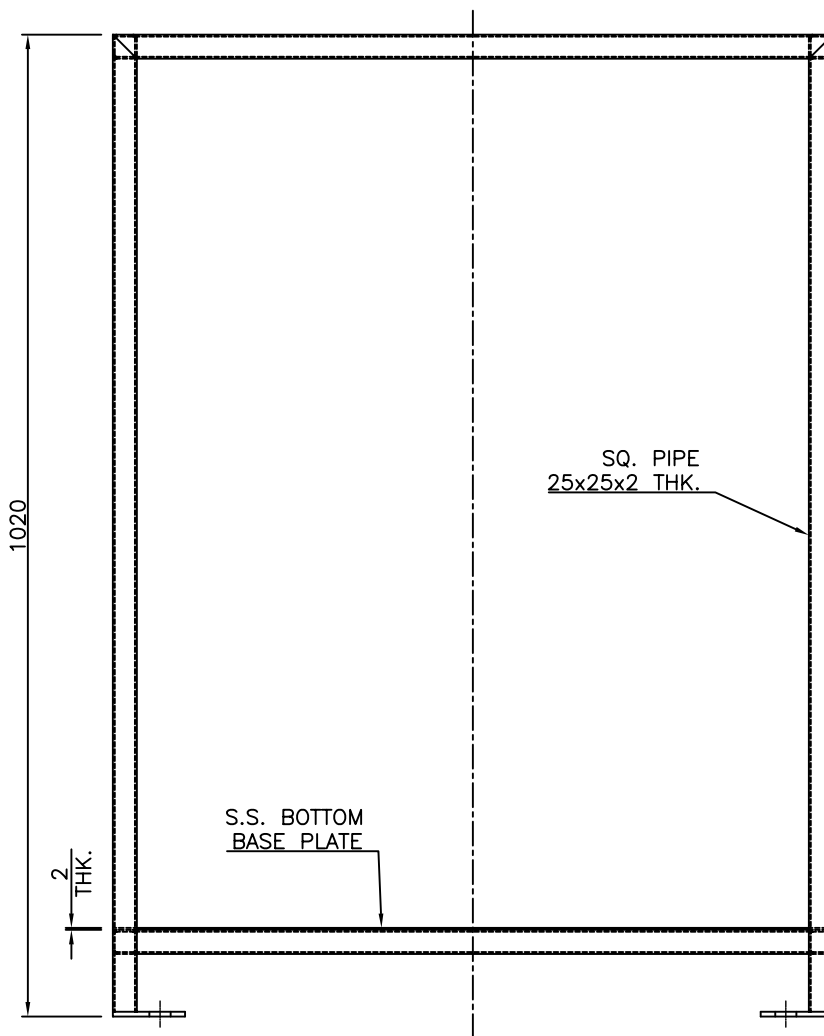
S.S. STRUCTURE CABINET DRAWING FOR CRUSHAAL 3000 120mm



S.S. CABINET BOTTOM BASE PLATE DRAWING  
FOR CRUSHAAL 3000 120mm

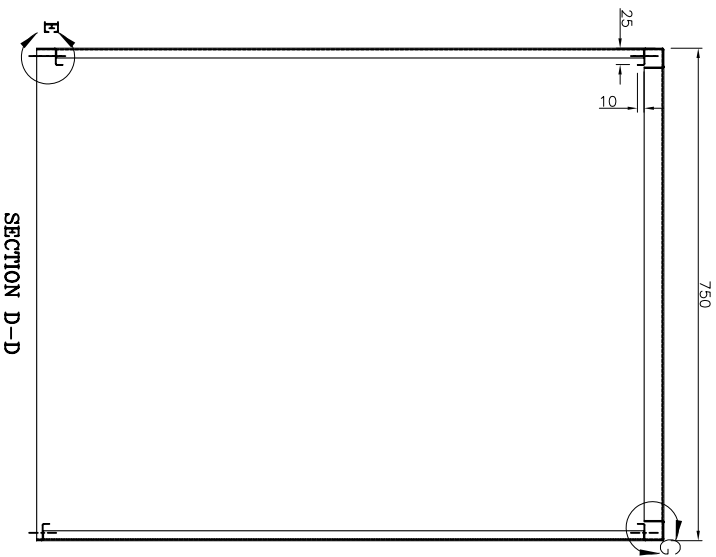
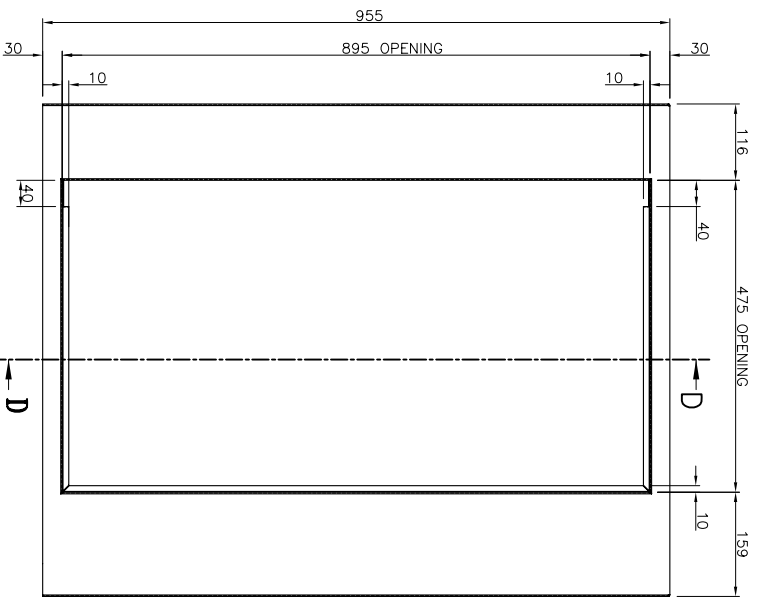
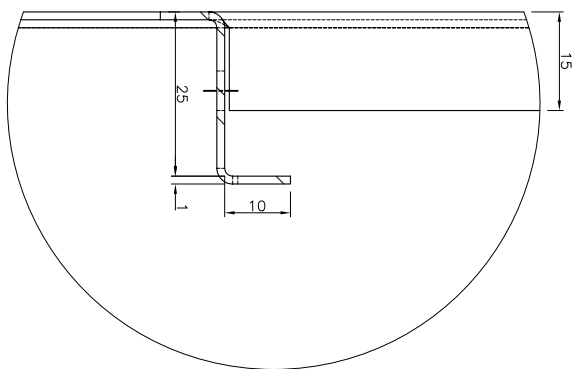
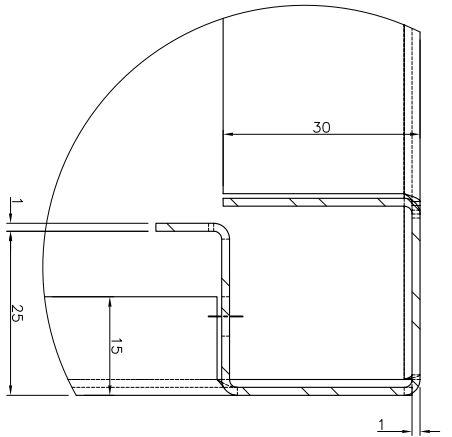
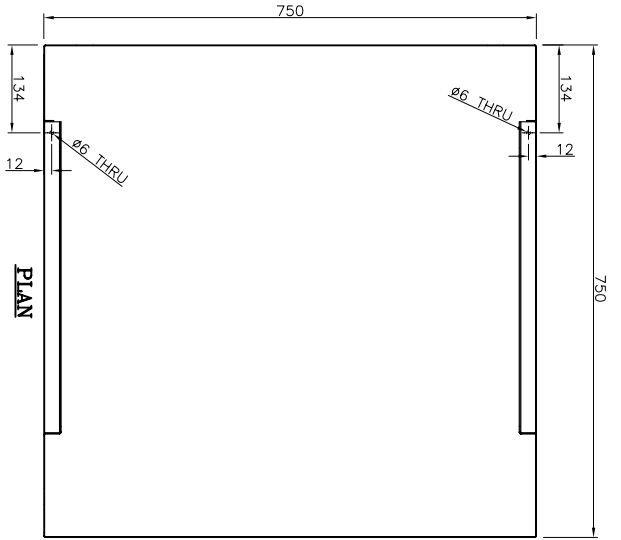


PLAN

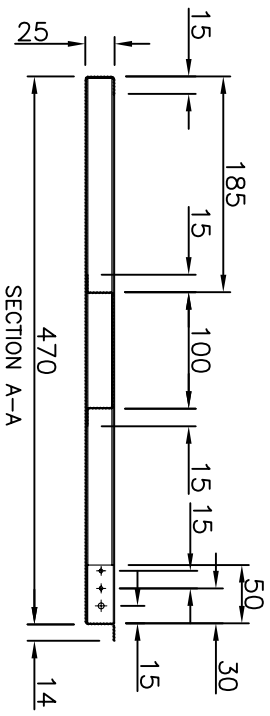
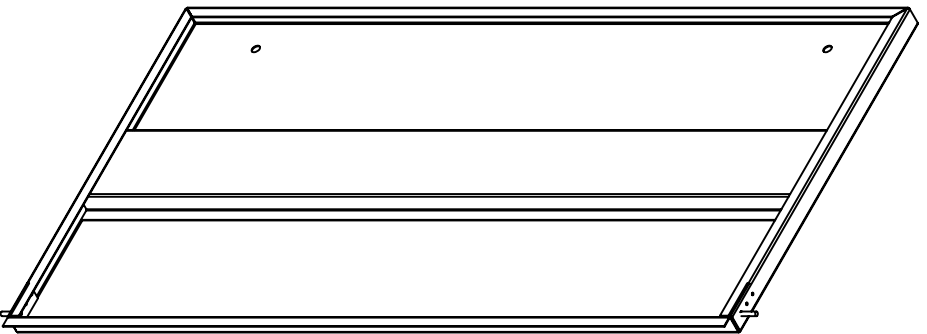
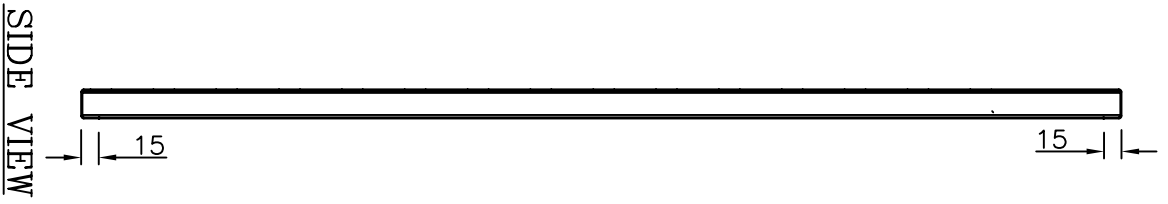
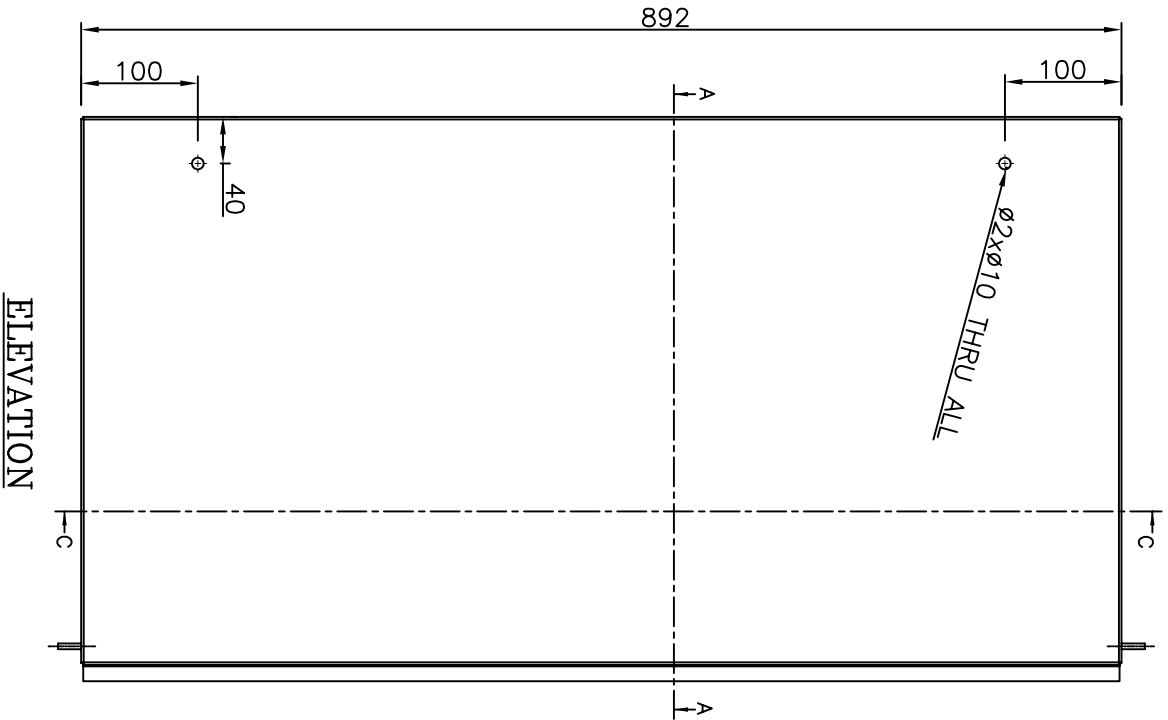
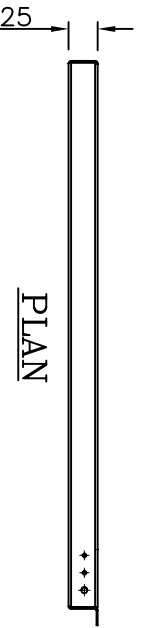


ELEVATION

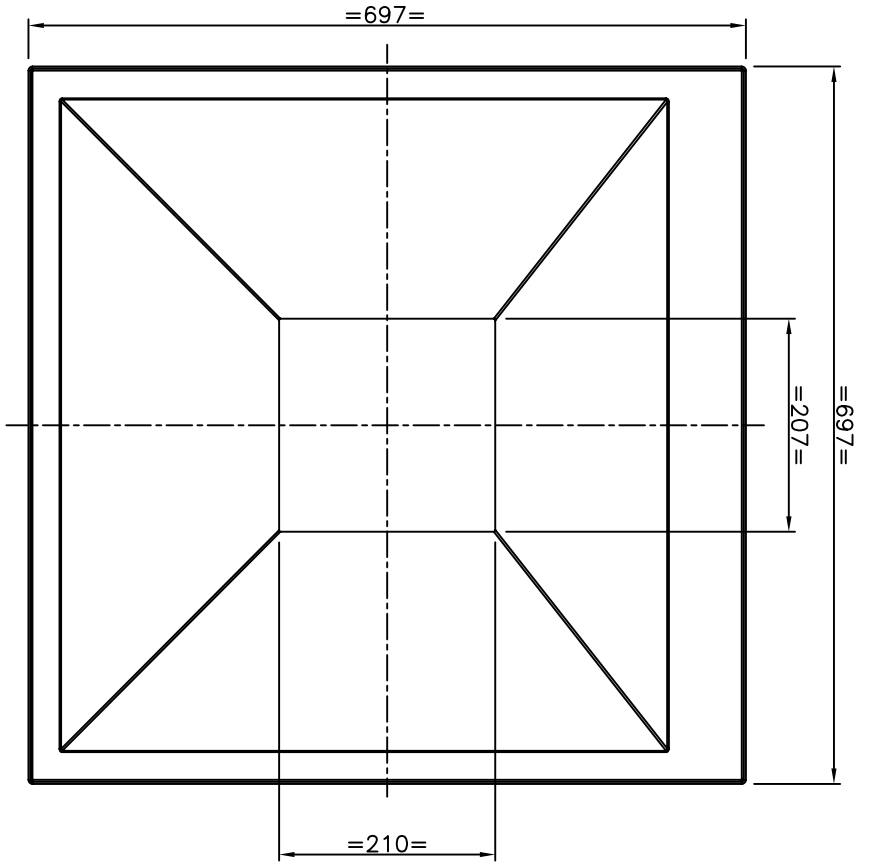
S.S. STRUCTURE CABINET WITH BOTTOM  
BASE PLATE DRAWING  
FOR CRUSHAAL 3000 120mm



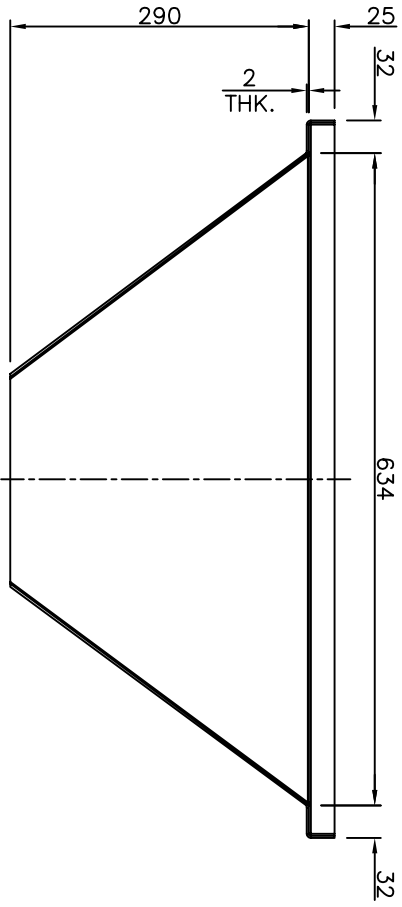
S.S. CABINET SIDE PANEL DRAWING  
FOR CRUSHAL 3000 120mm



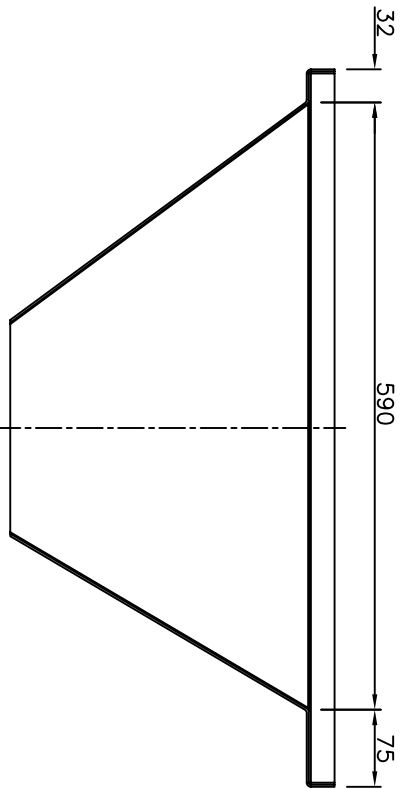
S.S. CABINET FRONT & BACK DOOR  
DRAWING FOR CRUSHAAL 3000 120mm



PLAN

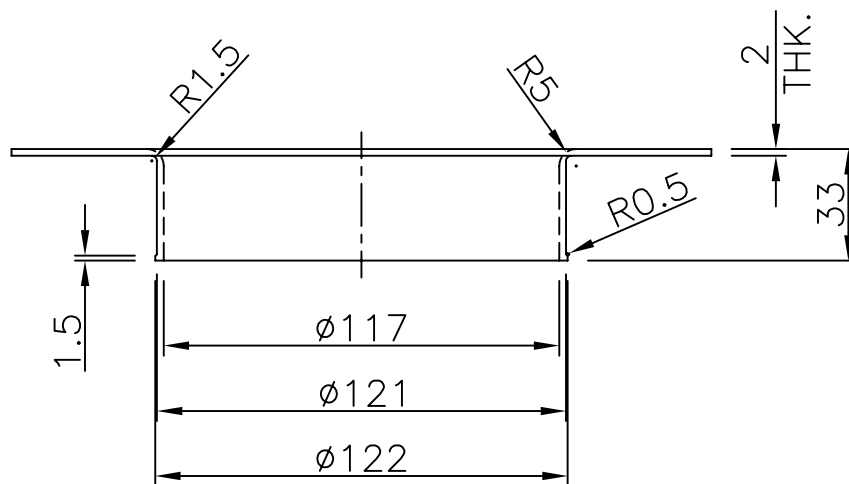
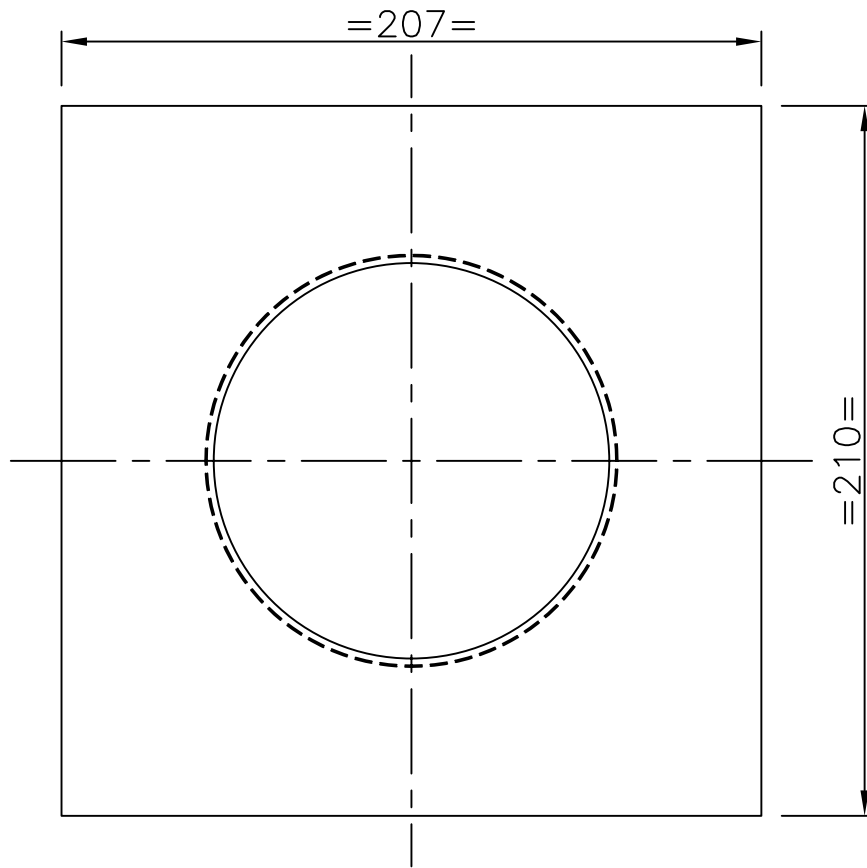


ELEVATION

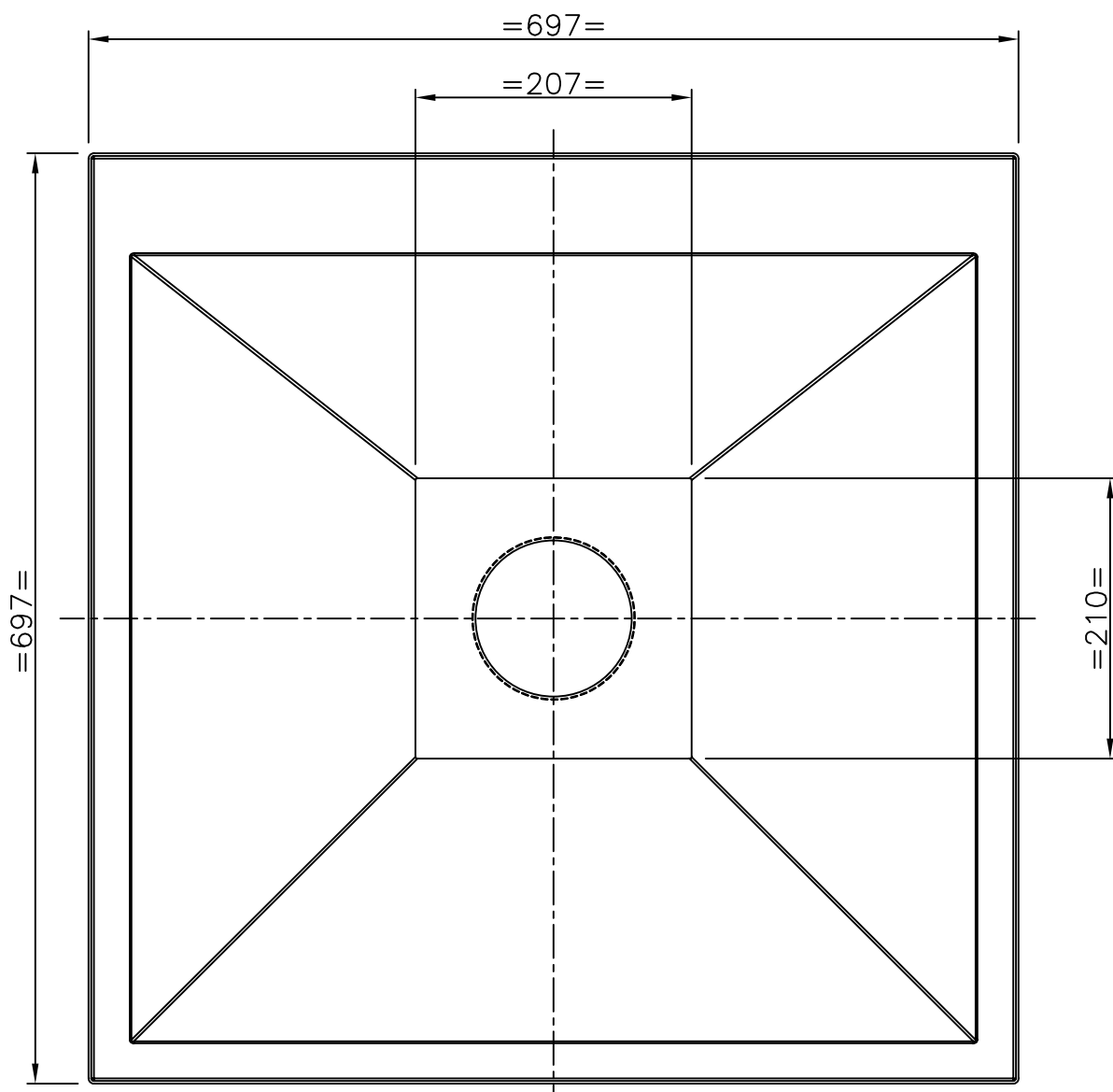


SIDE VIEW

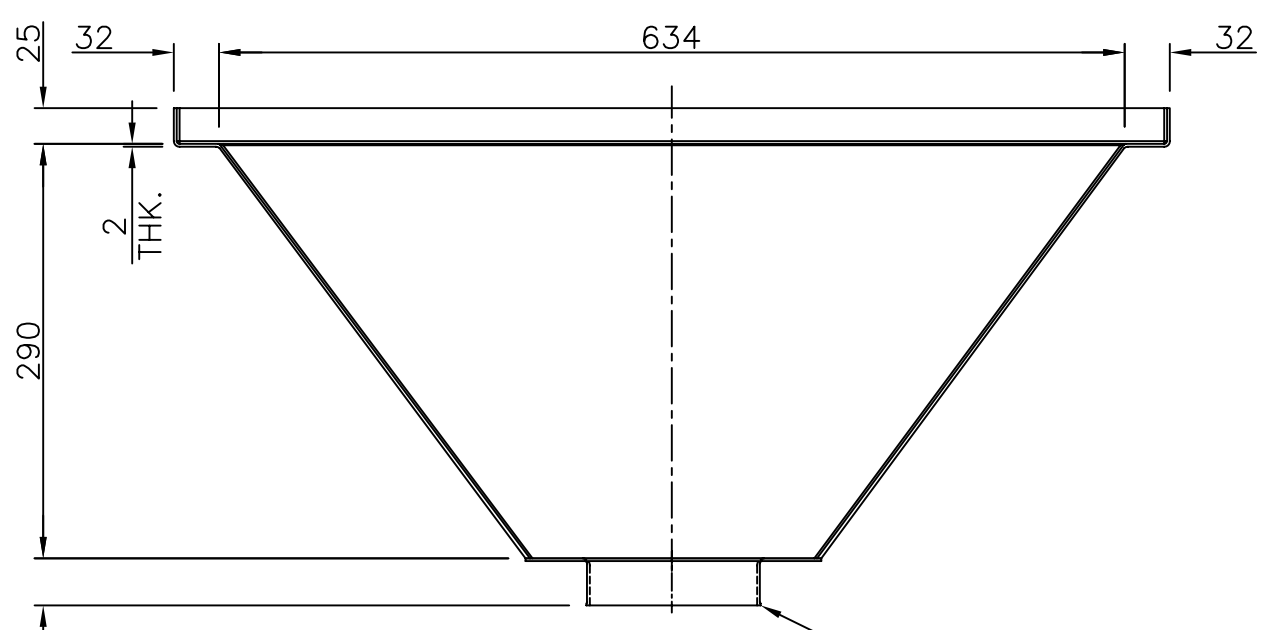
S.S. CABINET CONICAL SINK WITHOUT BOTTOM PLATE DRAWING  
FOR CRUSHAAL 3000 120mm



S.S. CABINET CONICAL SINK BOTTOM  
PLATE DRAWING  
FOR CRUSHAAL 3000 120mm



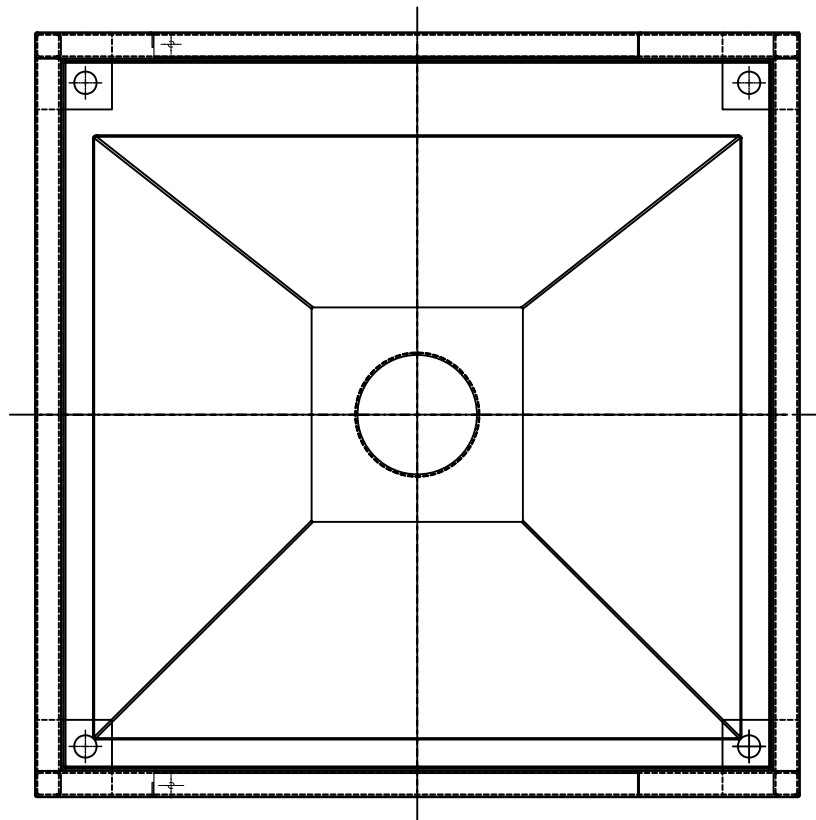
PLAN



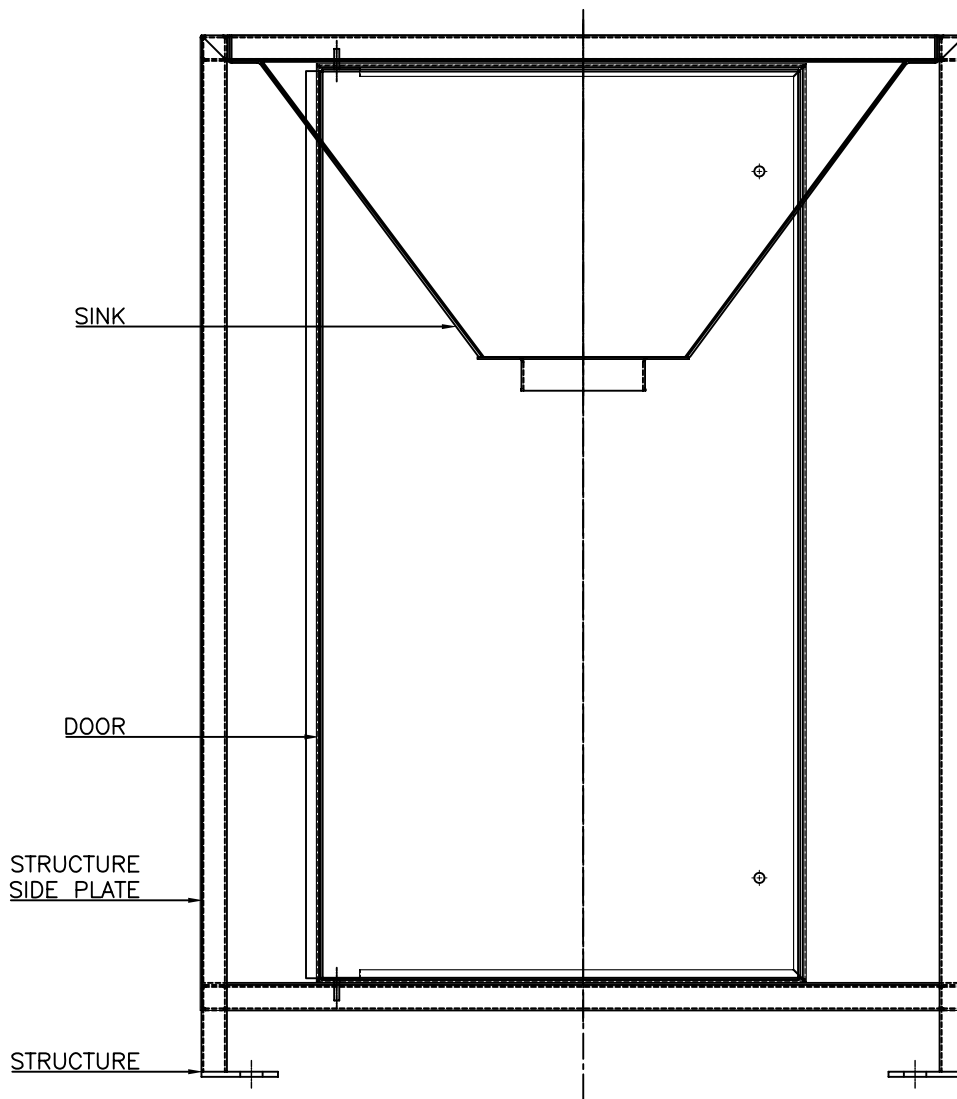
ELEVATION

S.S. CABINET CONICAL SINK WITH BOTTOM  
 PLATE DRAWING FOR CRUSHAAL 3000 120mm



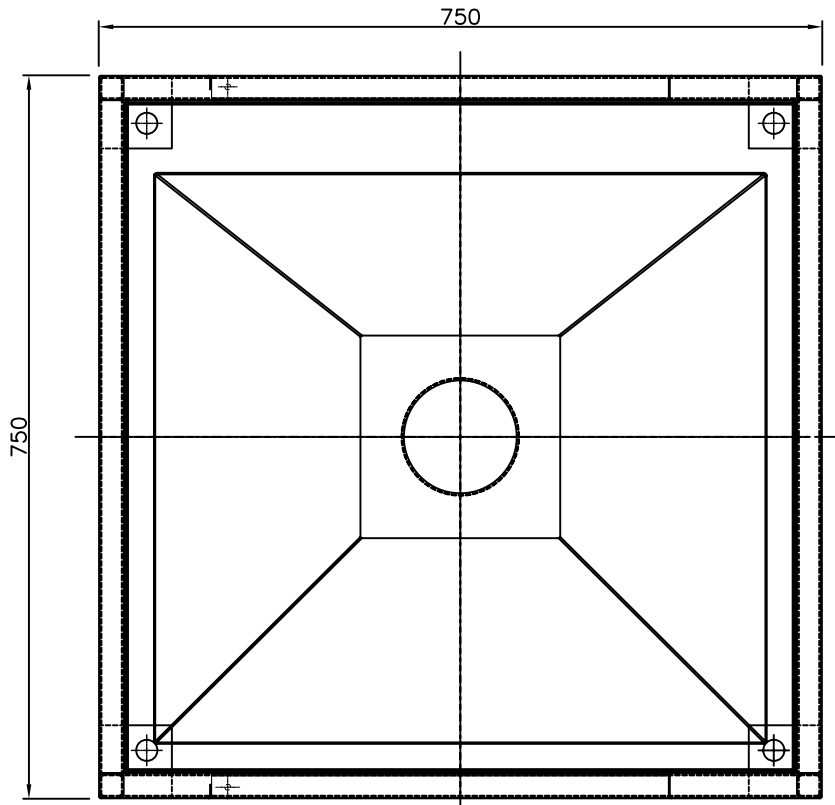


PLAN

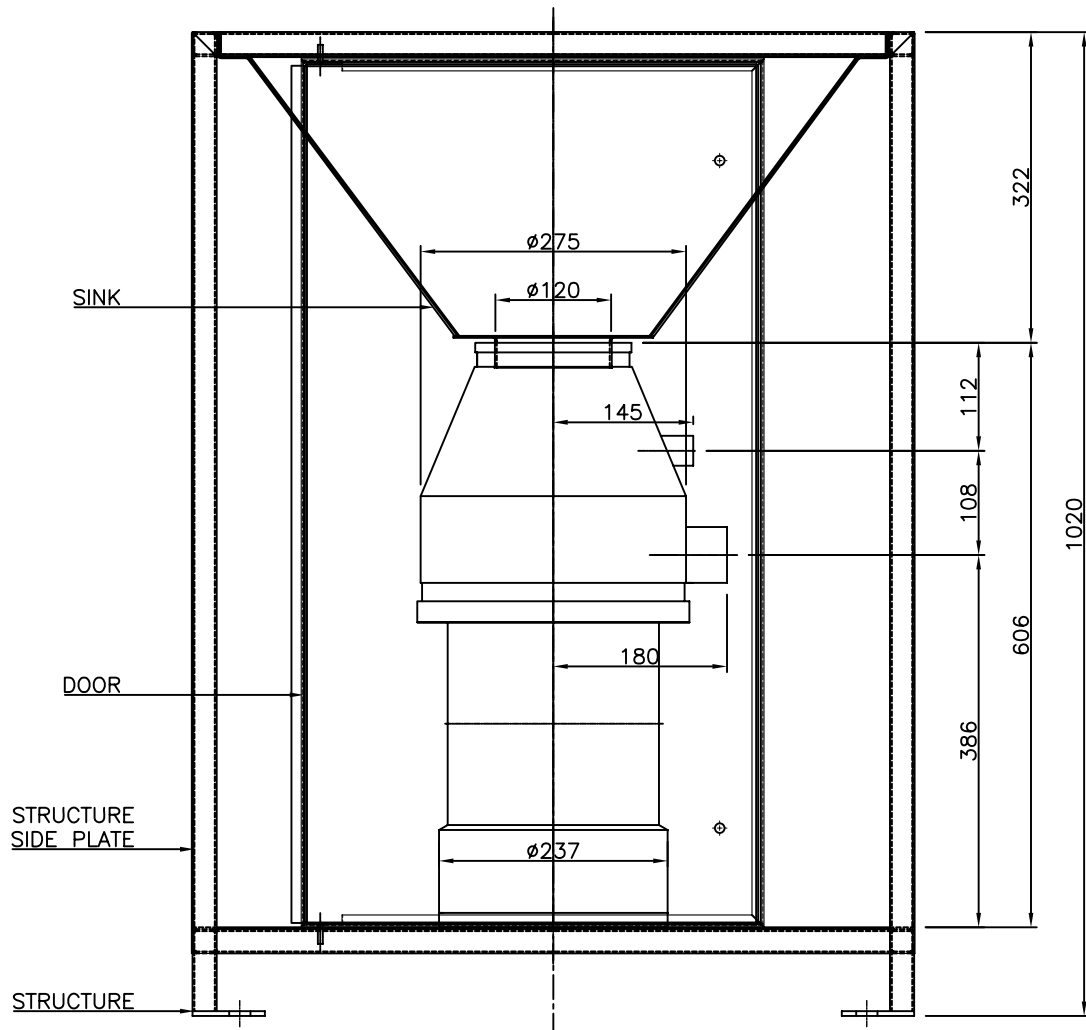


ELEVATION

S.S. CABINET ASSEMBLY DRAWING  
FOR CRUSHAAL 3000 120mm



PLAN



ELEVATION

**S.S. CABINET ASSEMBLY DRAWING  
 FITTED WITH CRUSHAAL 3000 120mm**